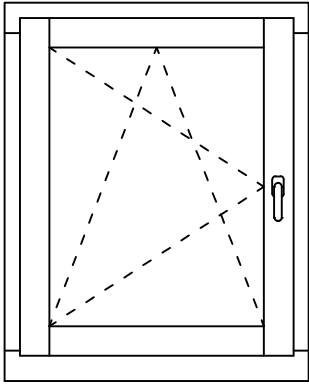
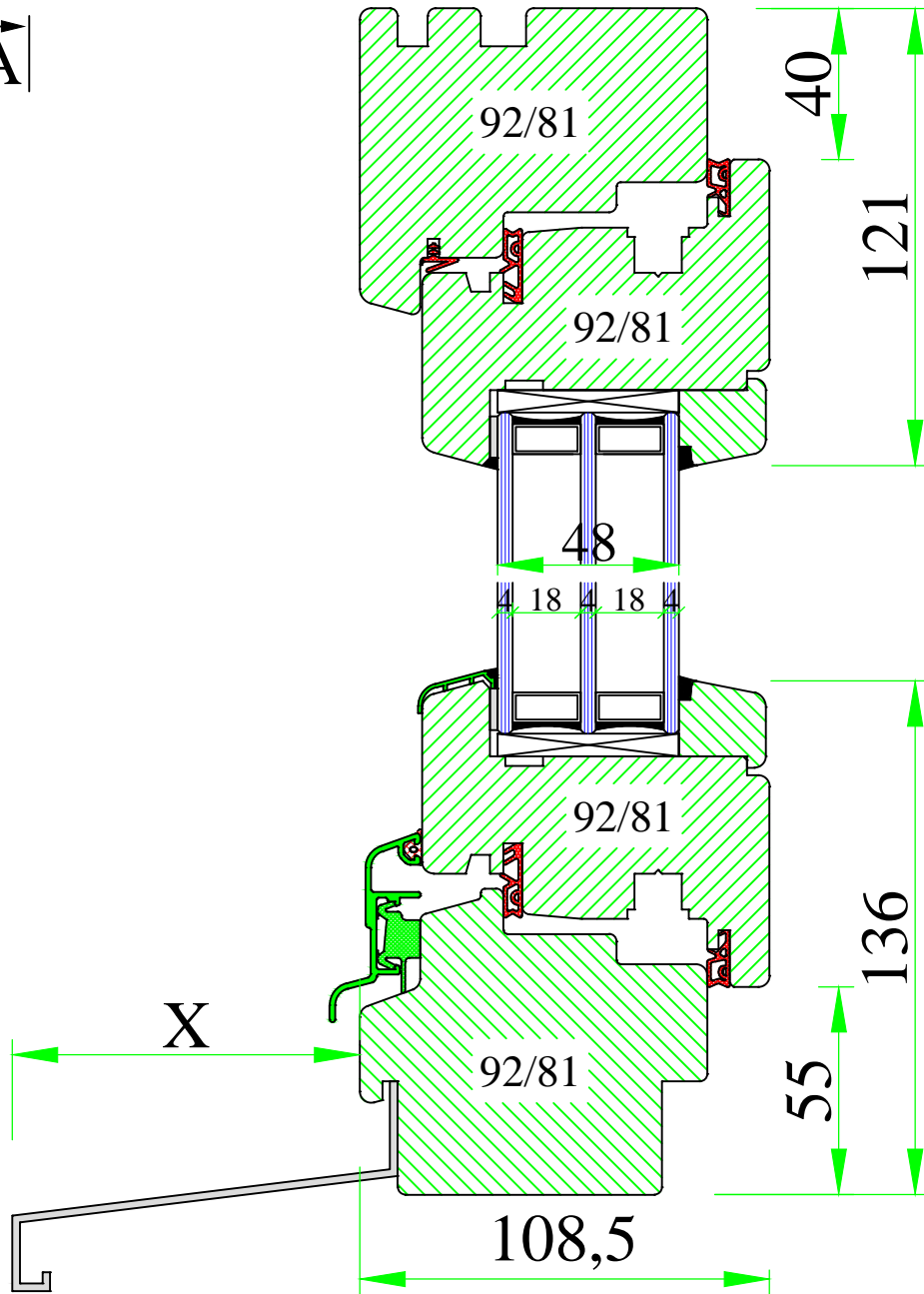


A



A

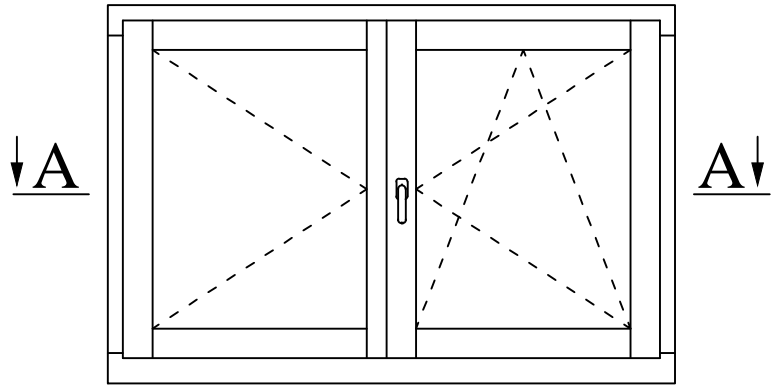
# A-A



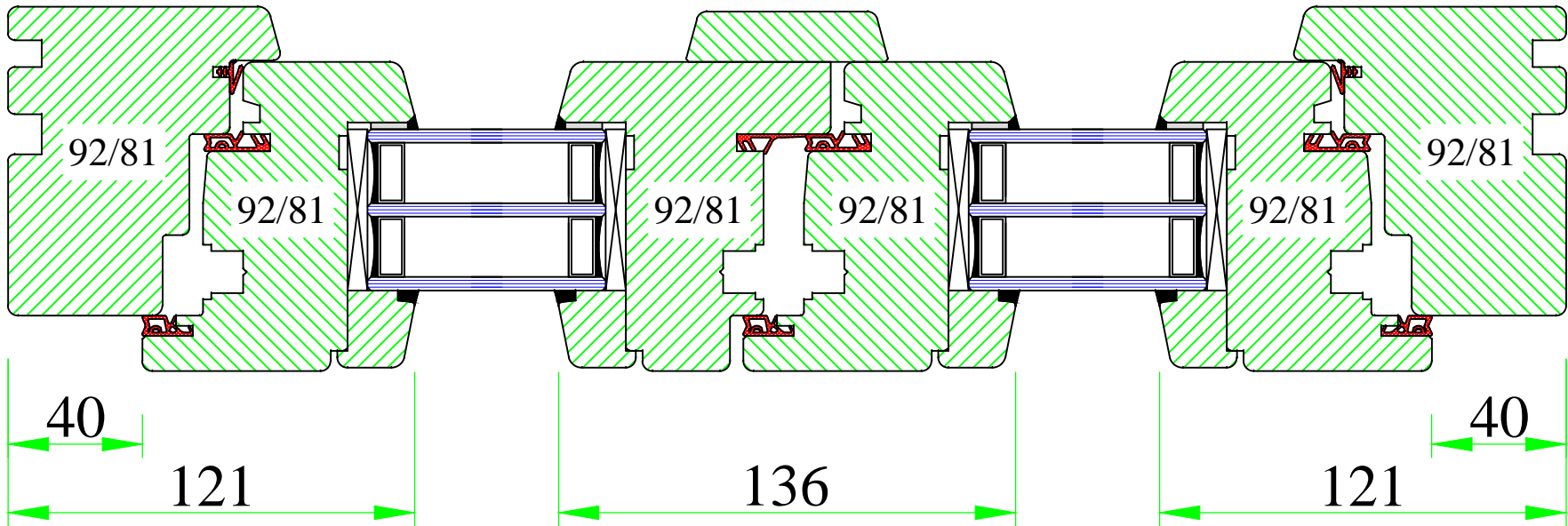
**UNI WINDOWS Ltd.**  
 Unit 6, Edgefield Industrial Est.  
 Loanhead, EH20 9TB  
 Tel.: 0131 448 3931

IV92 THERMO  
 Inward opening tilt & turn window

Version: 1	Scale: 1:2
Date: 23.03.17	Drawing: FO1



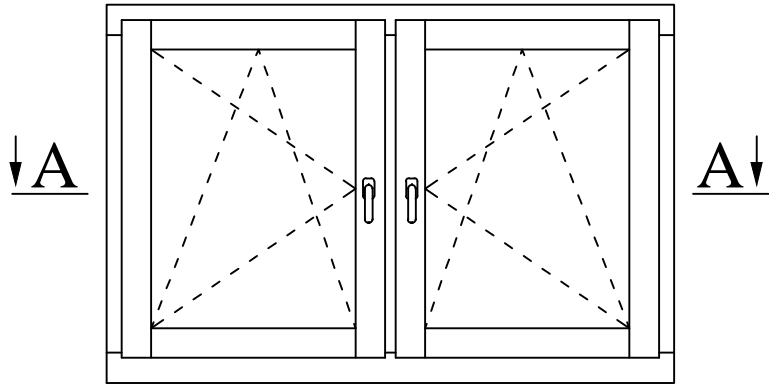
A-A



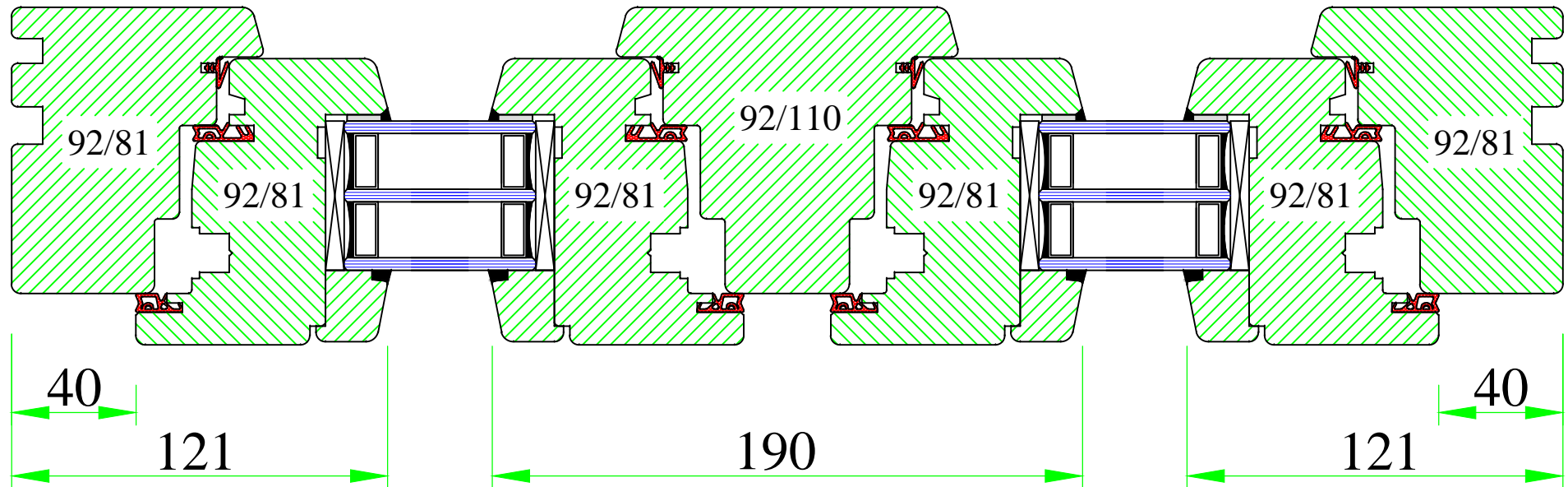
**UNI WINDOWS Ltd.**  
 Unit 6, Edgefield Industrial Est.  
 Loanhead, EH20 9TB  
 Tel.: 0131 448 3931

IV92 THERMO  
 Double opening window with flying mullion

Version: 1	Scale: 1:2
Date: 23.03.17	Drawing: FO2



# A-A

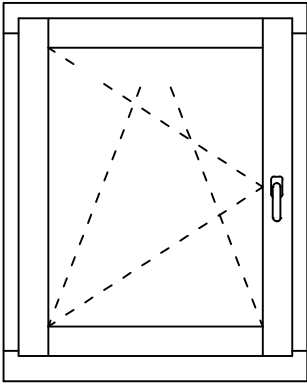


**UNI WINDOWS Ltd.**  
 Unit 6, Edgefield Industrial Est.  
 Loanhead, EH20 9TB  
 Tel.: 0131 448 3931

**IV92 THERMO**  
 Double opening window with fixed mullion  
 110mm

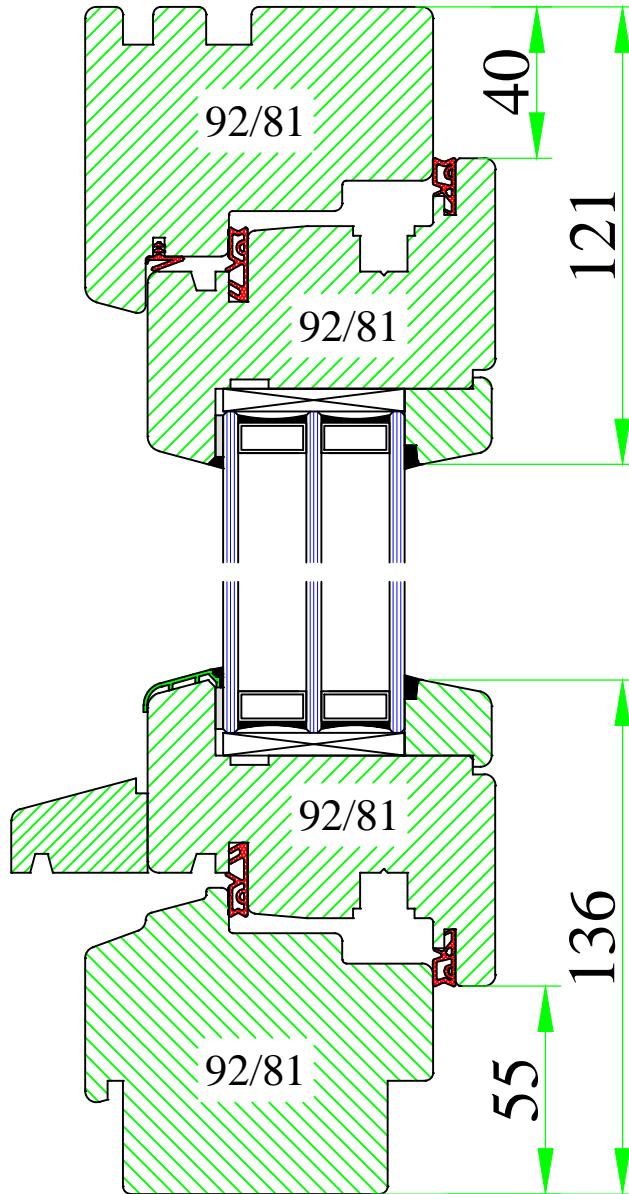
Version: 1	Scale: 1:2
Date: 23.03.17	Drawing: FO3

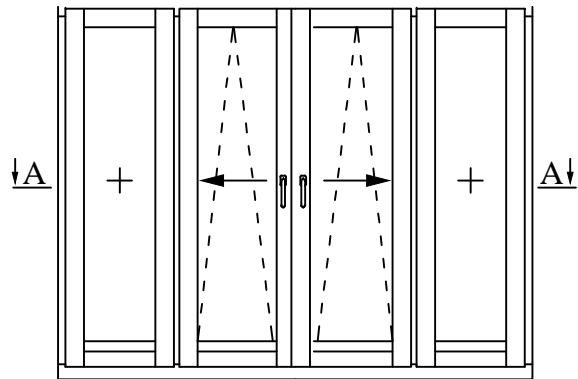
A



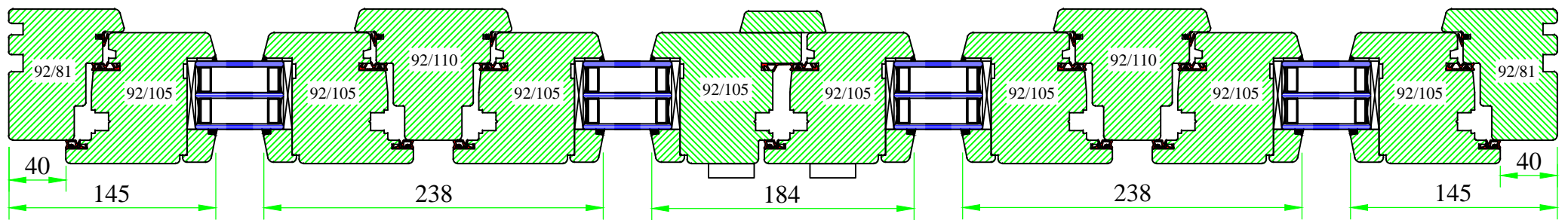
A

# A-A





# A-A

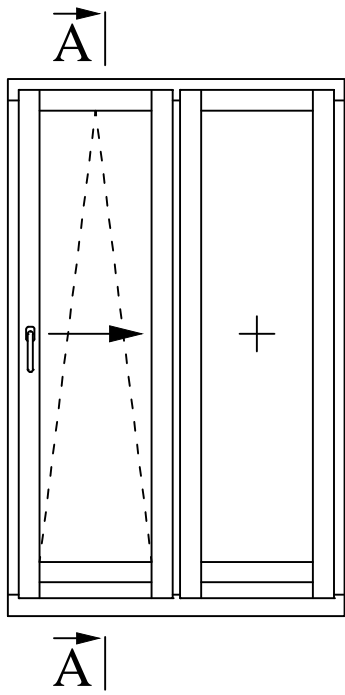


**UNI WINDOWS Ltd.**  
 Unit 6, Edgefield Industrial Est.  
 Loanhead, EH20 9TB  
 Tel.: 0131 448 3931

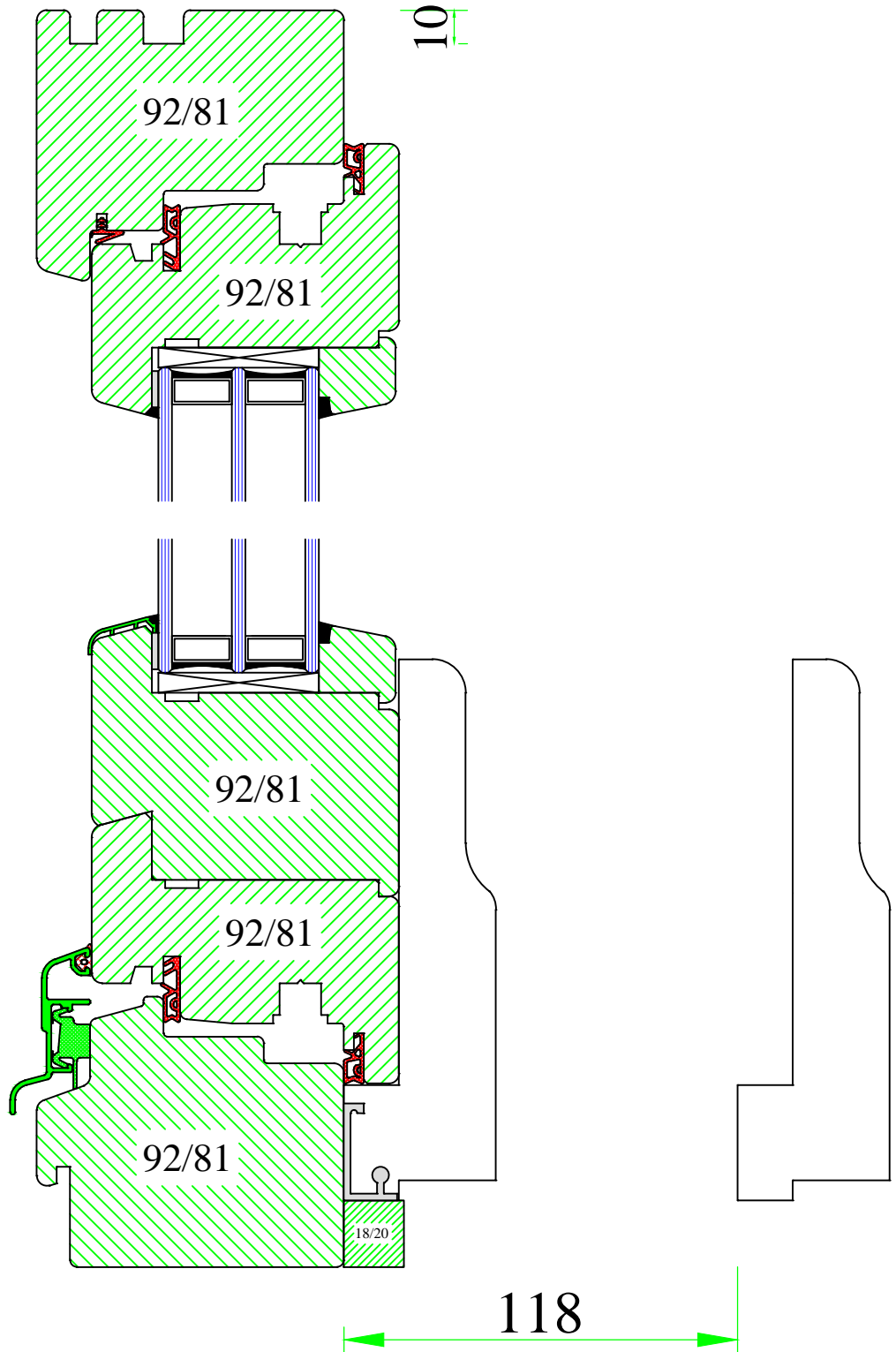
Tilt & slide door - type C

IV92 THERMO

Version: 1	Scale: 1:4
Date: 23.03.17	Drawing: FO6



# A-A



www.uniwin.co.uk

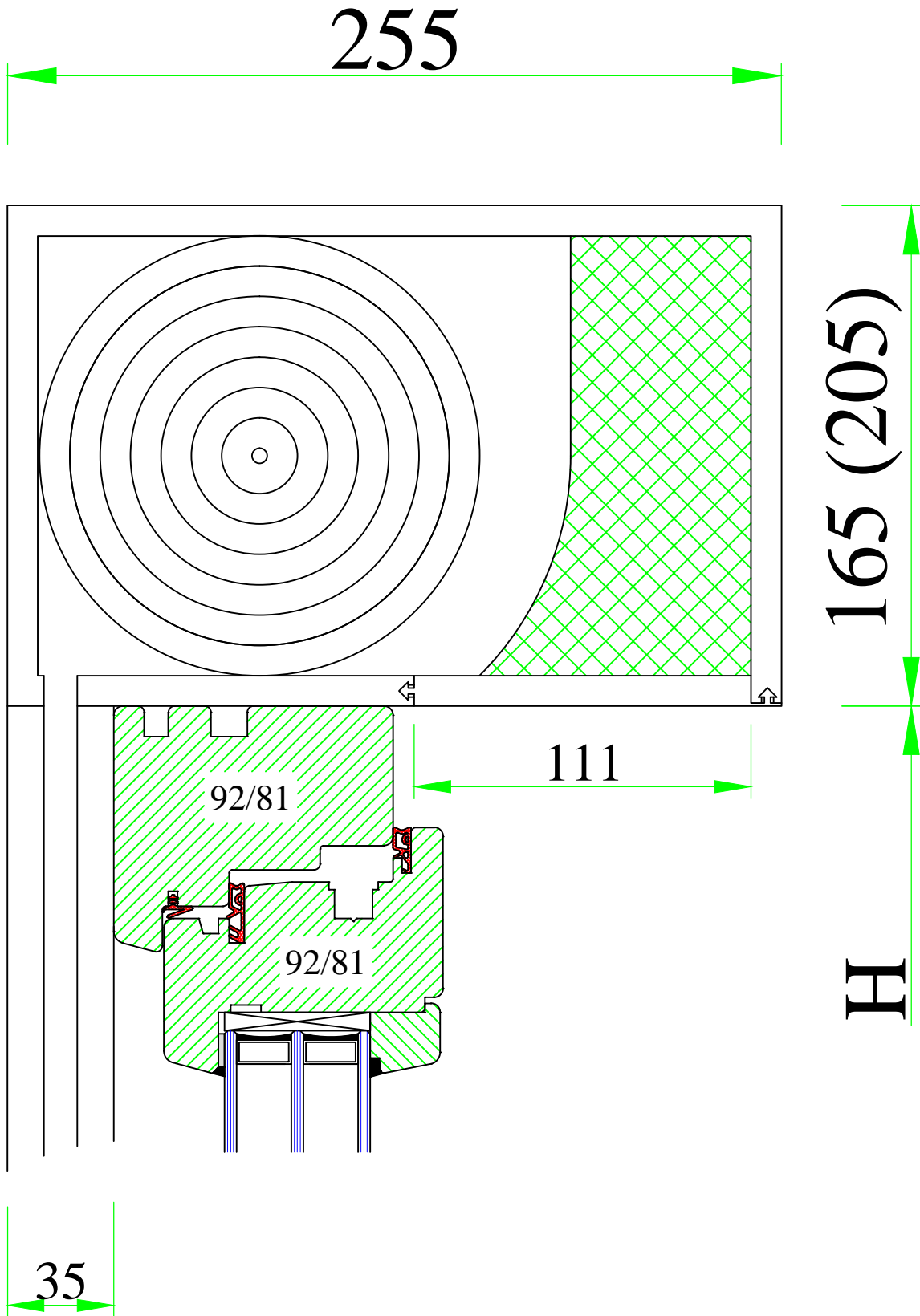


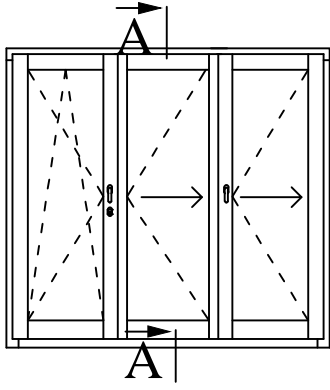
**UNI WINDOWS Ltd.**  
 Unit 6, Edgefield Industrial Est.  
 Loanhead, EH20 9TB  
 Tel.: 0131 448 3931

Tilt & slide door - type A

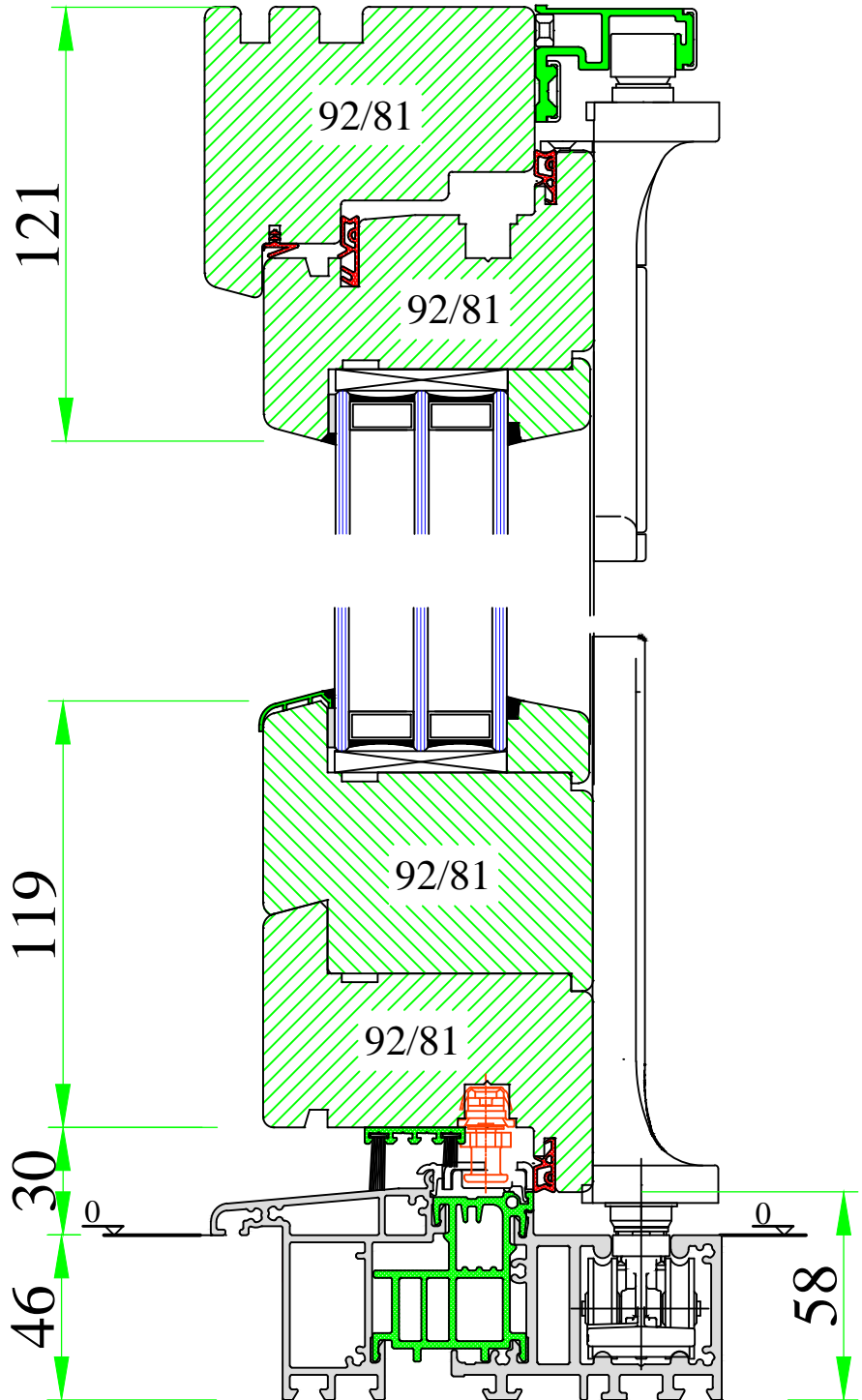
IV92 THERMO

Version: 1	Scale: 1:2
Date: 23.03.17	Drawing: FO8





# A-A

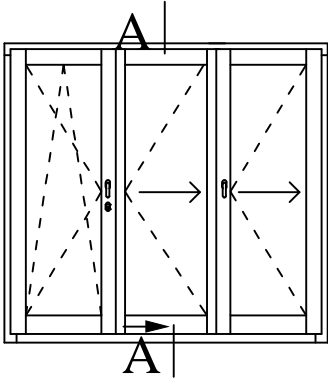


**UNI WINDOWS Ltd.**  
 Unit 6, Edgefield Industrial Est.  
 Loanhead, EH20 9TB  
 Tel.: 0131 448 3931

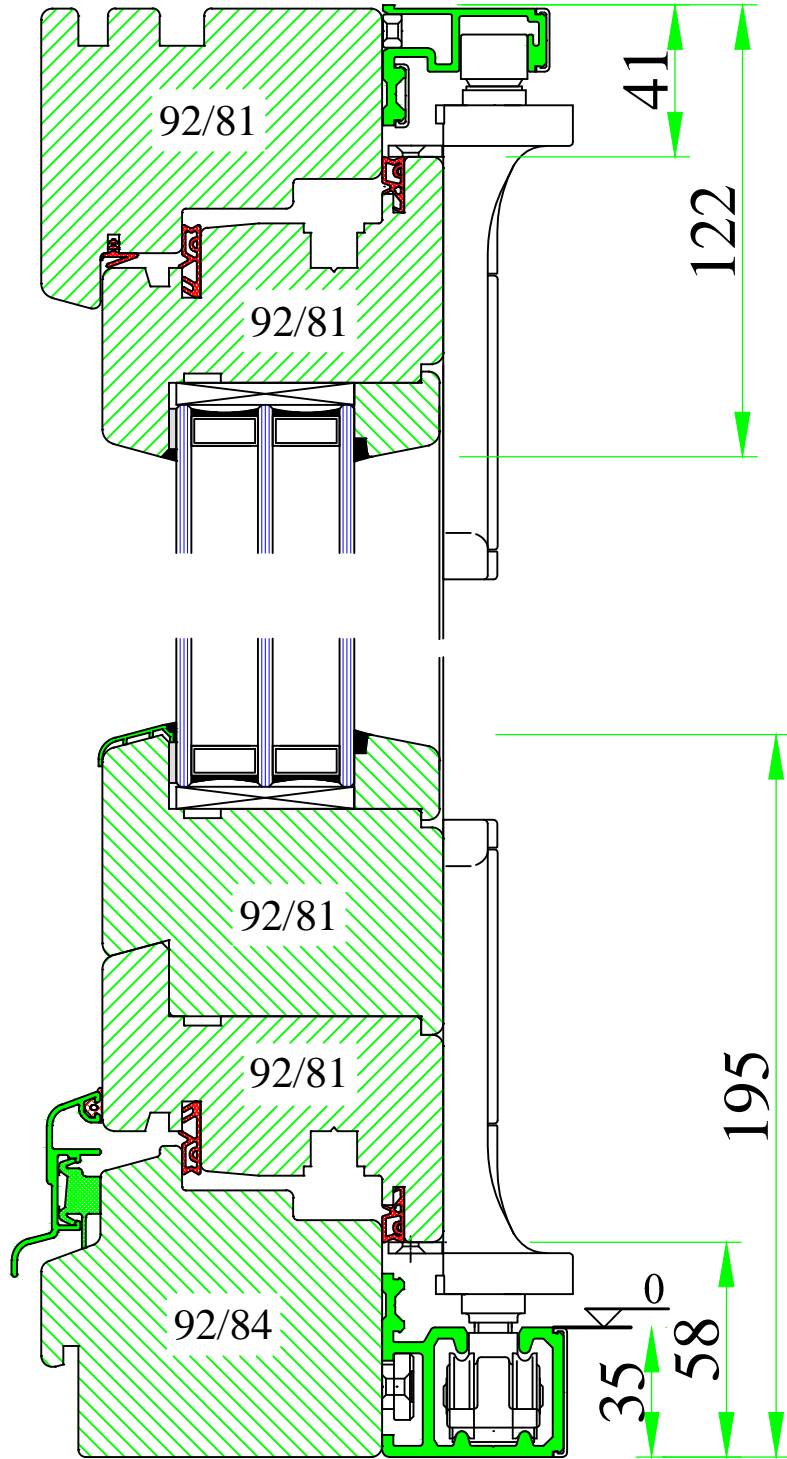
IV92 THERMO  
 Folding sliding door with low aluminium  
 threshold COMFORT

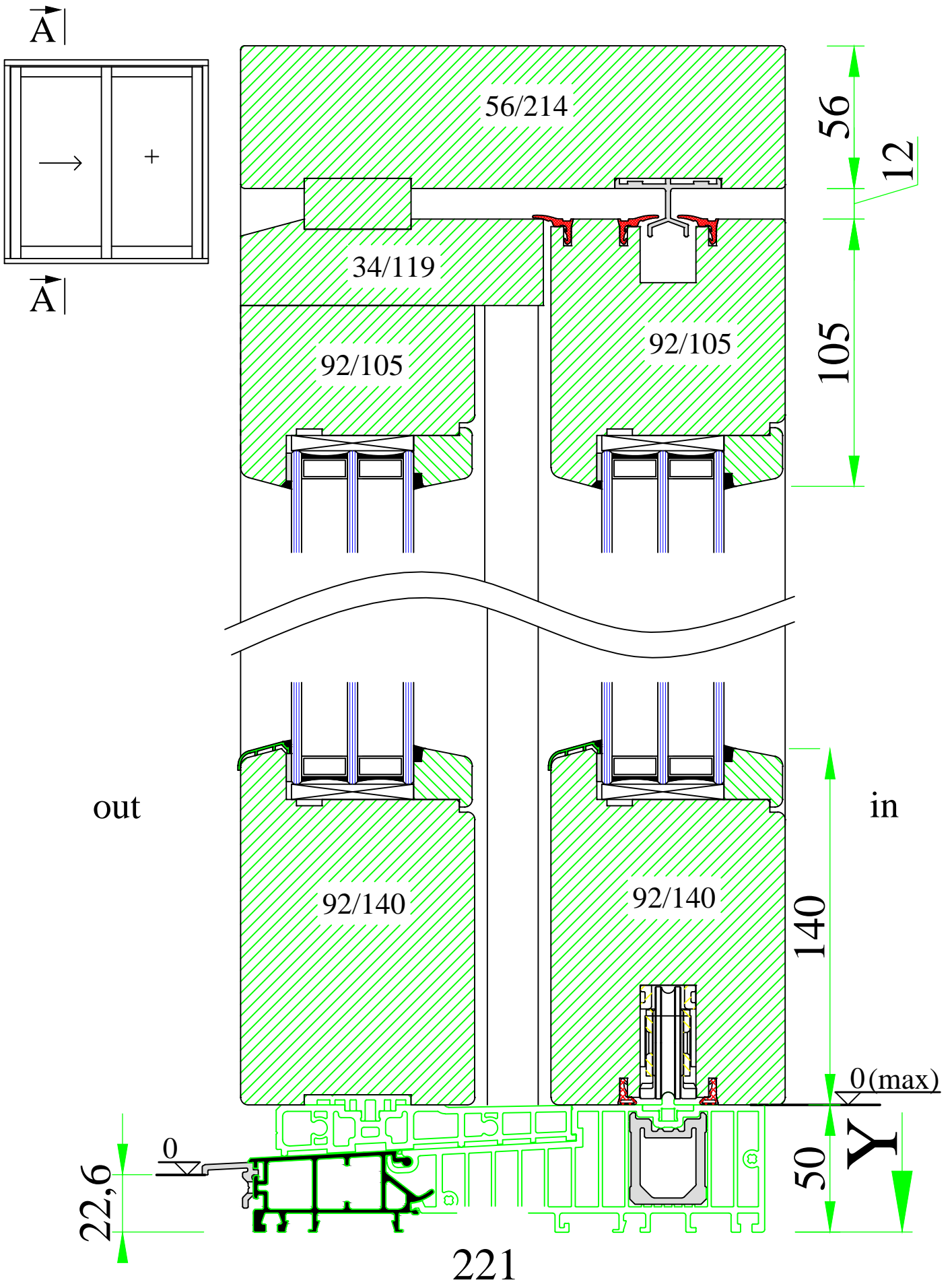
Version: 1	Scale: 1:2
Date: 23.03.17	Drawing: FO10





# A-A





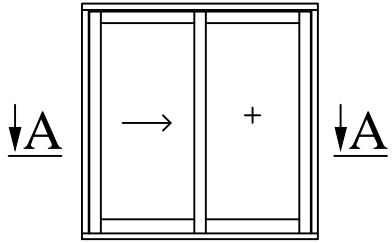
www.uniwin.co.uk



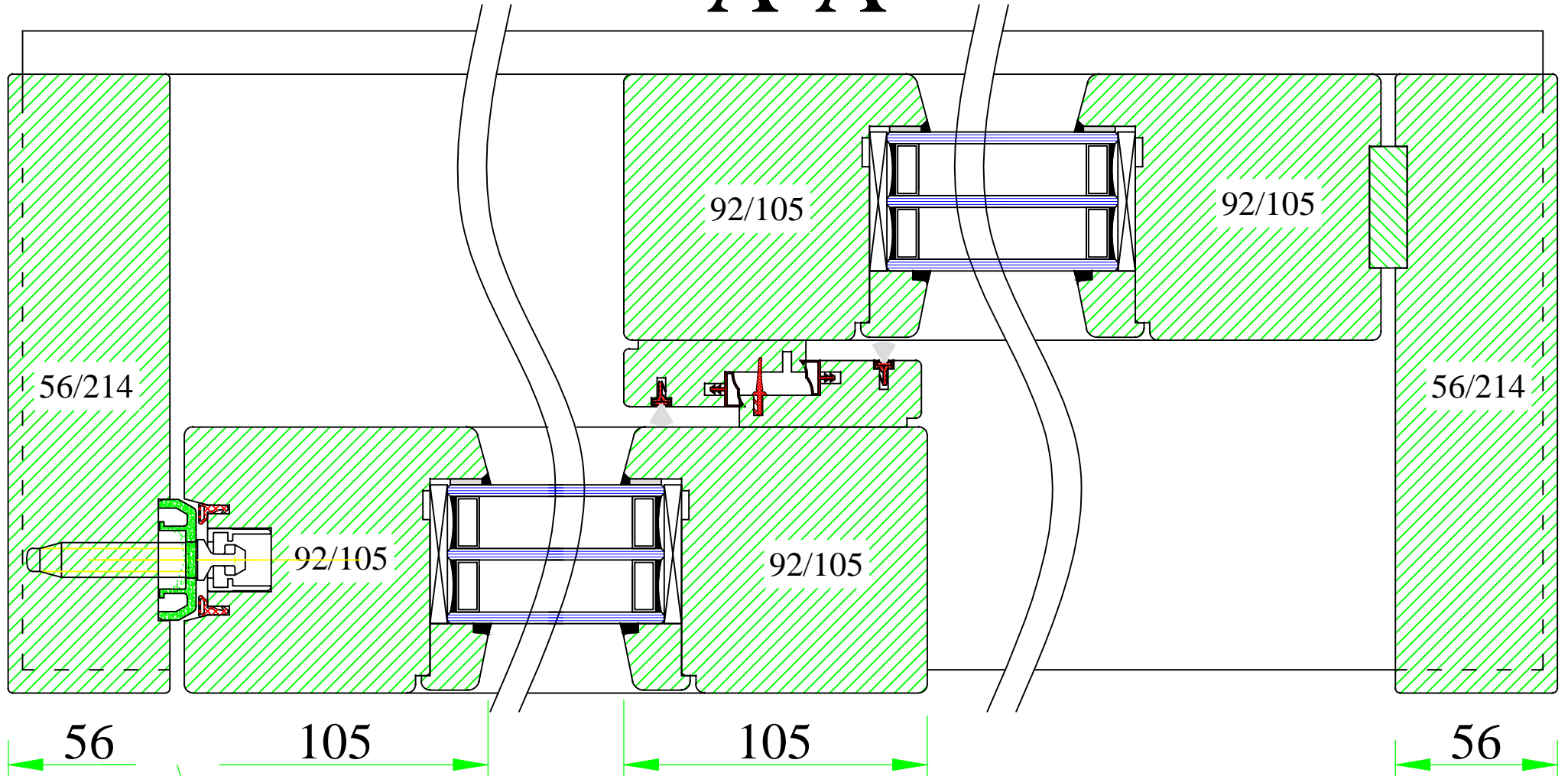
**UNI WINDOWS Ltd.**  
 Unit 6, Edgefield Industrial Est.  
 Loanhead, EH20 9TB  
 Tel.: 0131 448 3931

IV92 THERMO  
 HS Lift & slide door - vertical cut

Version: 1	Scale: 1:2
Date: 23.03.17	Drawing: FHS1



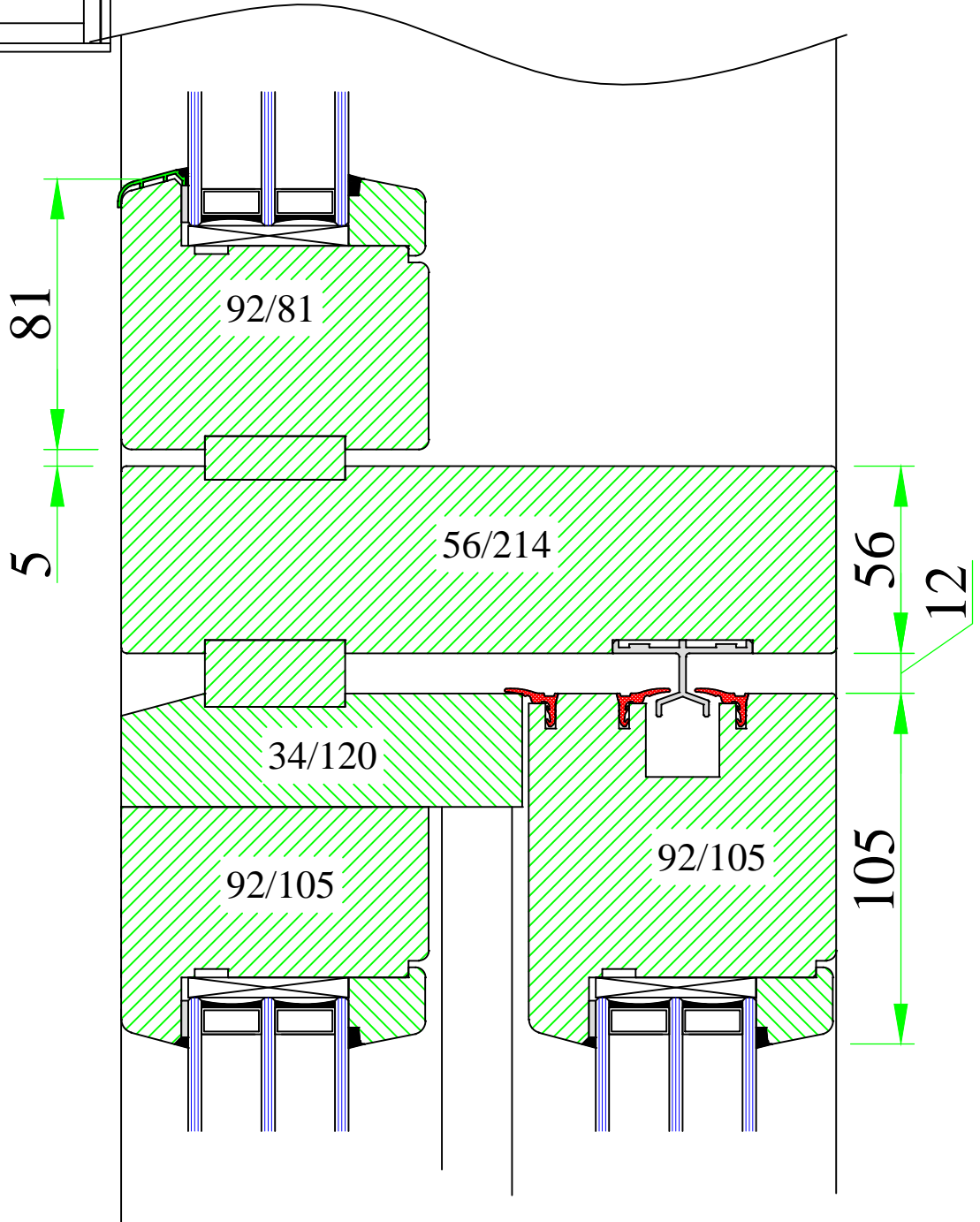
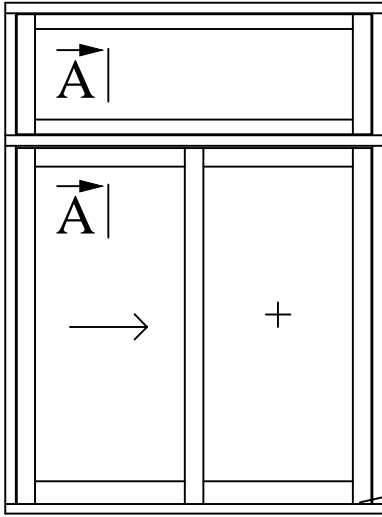
# A-A



**UNI WINDOWS Ltd.**  
 Unit 6, Edgefield Industrial Est.  
 Loanhead, EH20 9TB  
 Tel.: 0131 448 3931

IV92 THERMO  
 HS Lift & slide door - horizontal cut

Version: 1	Scale: 1:2
Date: 23.03.17	Drawing: FHS2



www.uniwin.co.uk

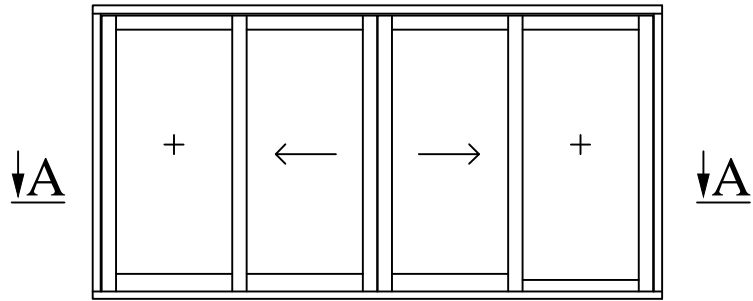


**UNI WINDOWS Ltd.**  
 Unit 6, Edgefield Industrial Est.  
 Loanhead, EH20 9TB  
 Tel.: 0131 448 3931

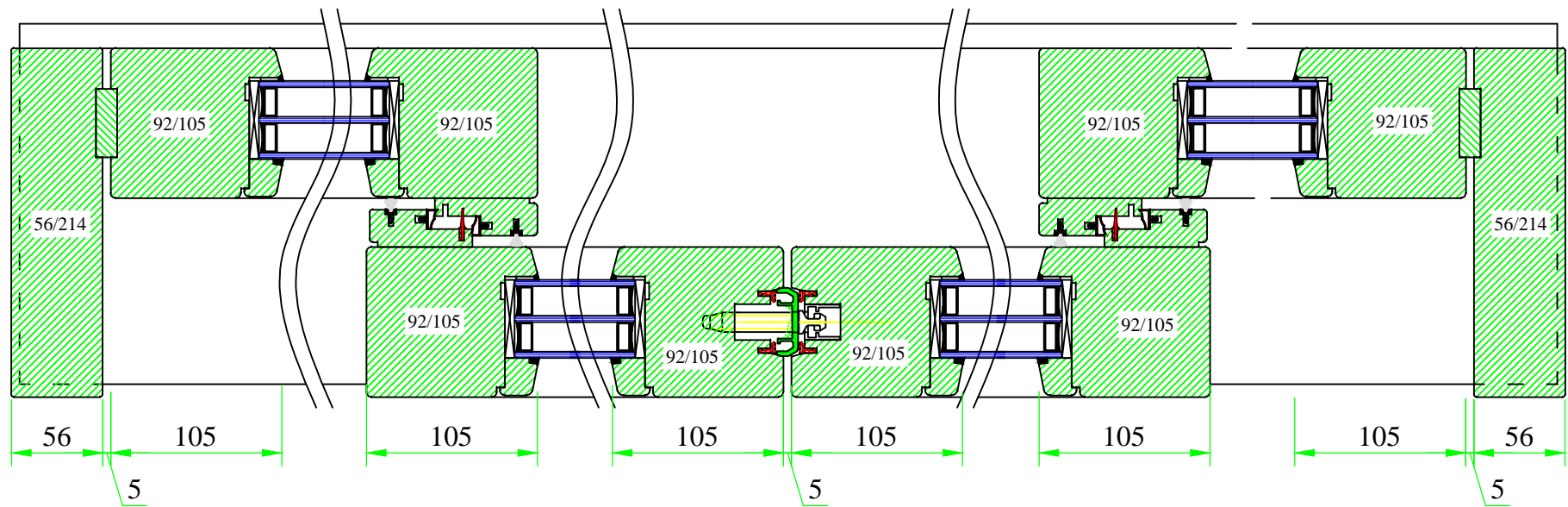
IV92 THERMO  
 HS Lift & slide door with fixed top light

Version:  
 1  
 Date:  
 23.03.17

Scale:  
 1:2  
 Drawing:  
 FHS3



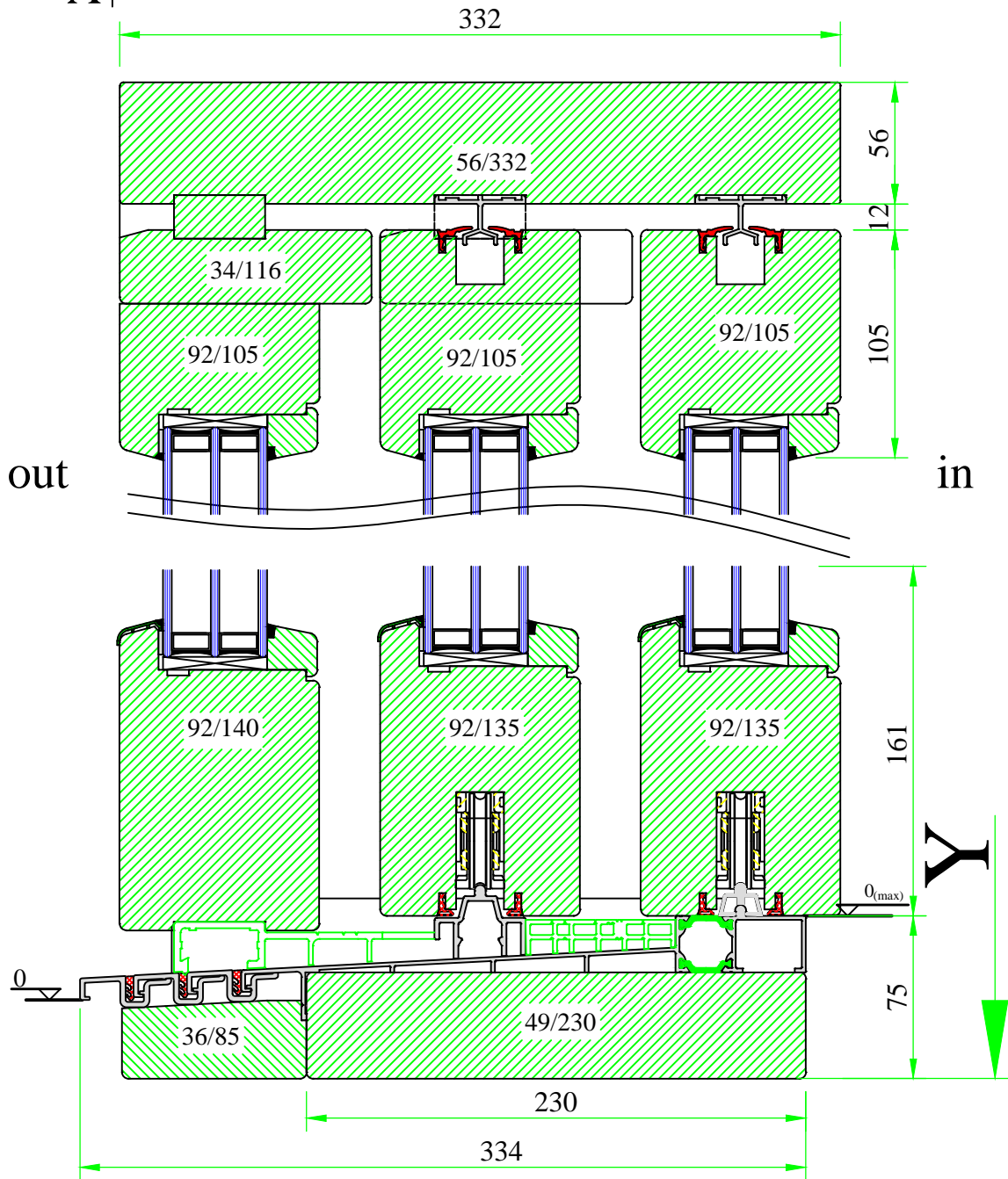
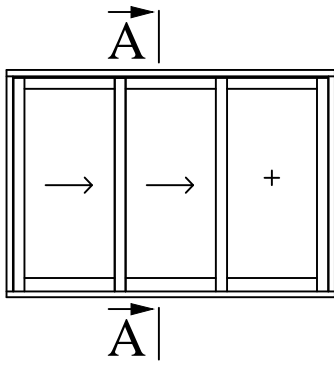
# A-A



**UNI WINDOWS Ltd.**  
 Unit 6, Edgefield Industrial Est.  
 Loanhead, EH20 9TB  
 Tel.: 0131 448 3931

**IV92 THERMO**  
 HS Lift & slide door - type C - horizontal cut

Version: 1	Scale: 1:4
Date: 23.03.17	Drawing: FHS4



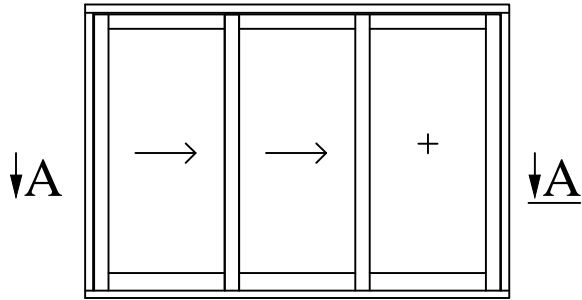
www.uniwin.co.uk



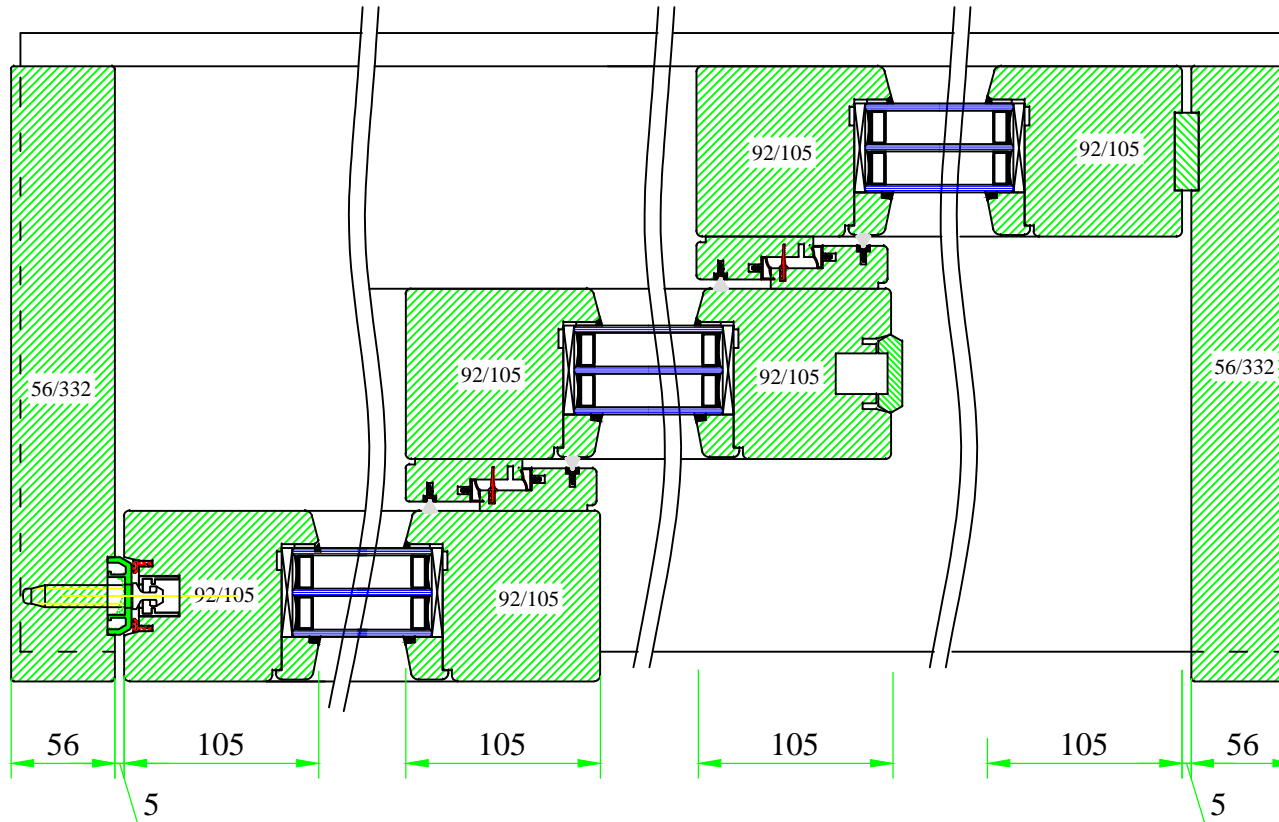
**UNI WINDOWS Ltd.**  
 Unit 6, Edgefield Industrial Est.  
 Loanhead, EH20 9TB  
 Tel.: 0131 448 3931

**IV92 THERMO**  
 HS Lift & slide door - type E - vertical cut

Version: 1	Scale: 1:3
Date: 23.03.17	Drawing: FHS5



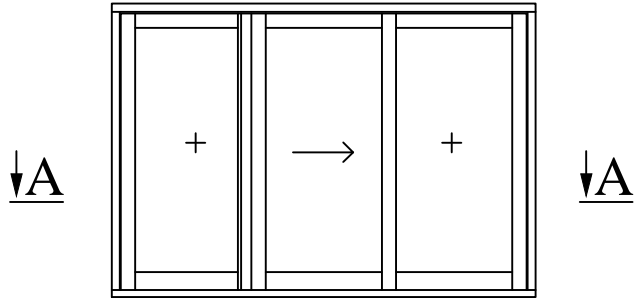
# A-A



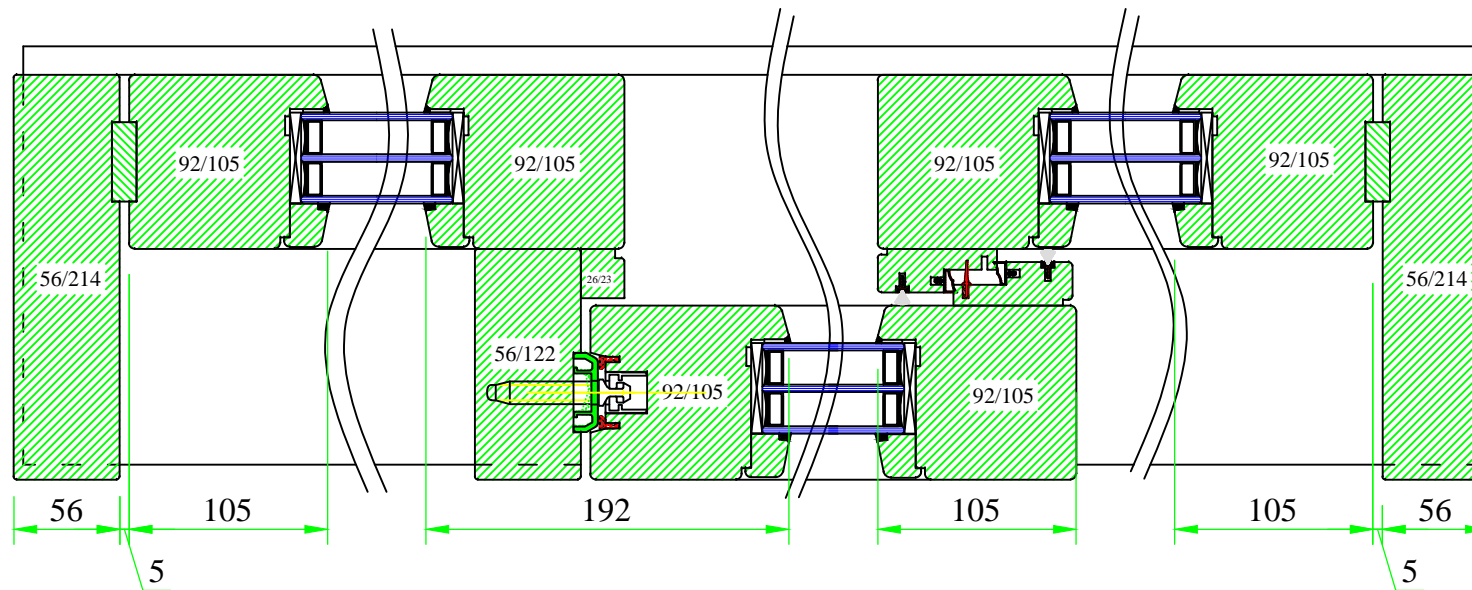
**UNI WINDOWS Ltd.**  
 Unit 6, Edgefield Industrial Est.  
 Loanhead, EH20 9TB  
 Tel.: 0131 448 3931

**IV92 THERMO**  
 HS Lift & slide door - type E - horizontal cut

Version: 1	Scale: 1:4
Date: 23.03.17	Drawing: FHS6



# A-A

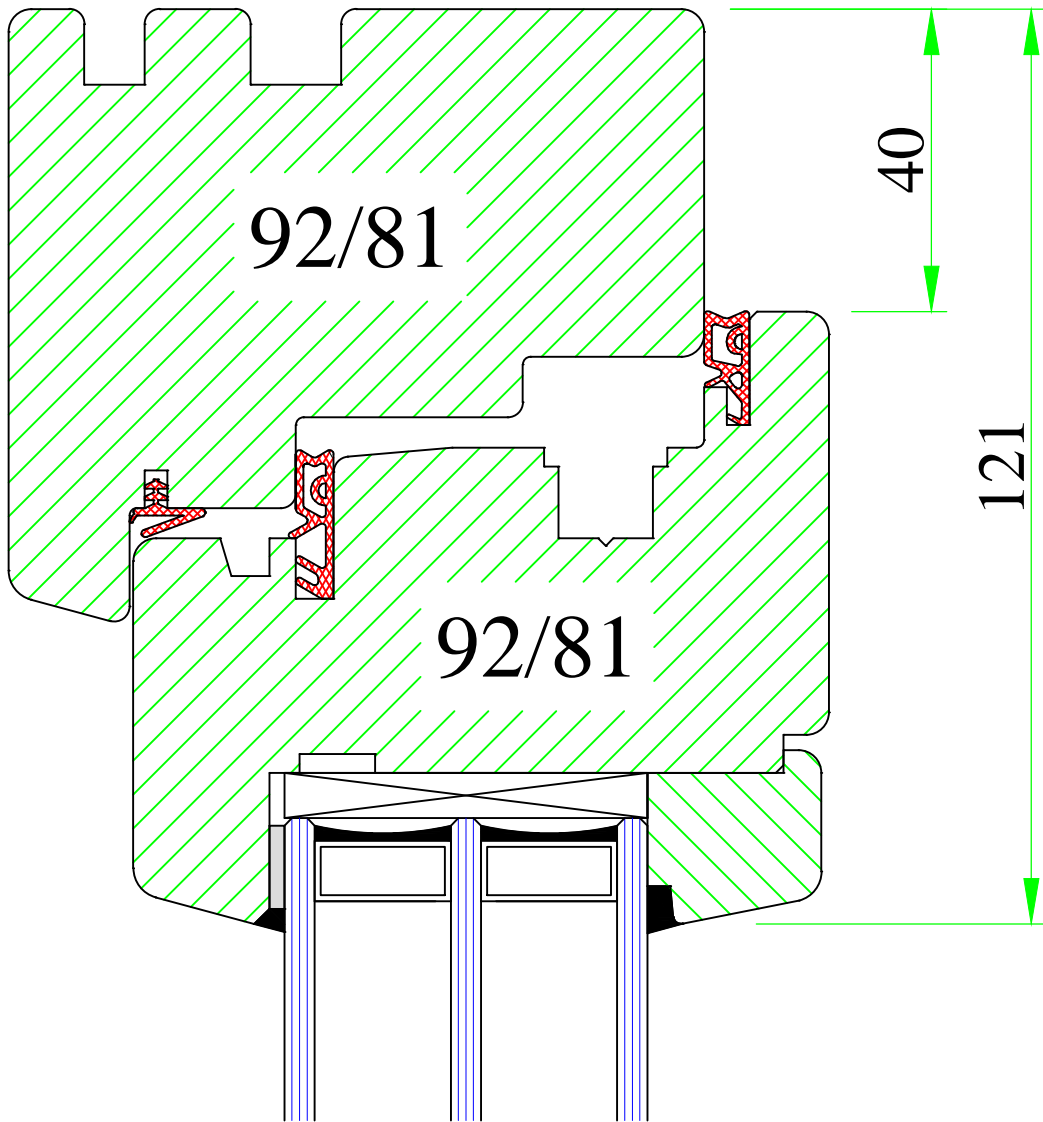
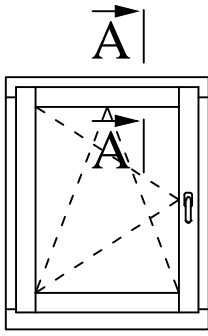


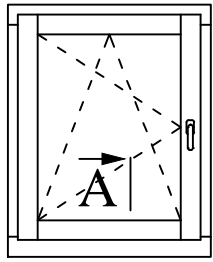
**UNI WINDOWS Ltd.**  
 Unit 6, Edgefield Industrial Est.  
 Loanhead, EH20 9TB  
 Tel.: 0131 448 3931

IV92 THERMO  
 HS Lift & slide door - type G - horizontal cut

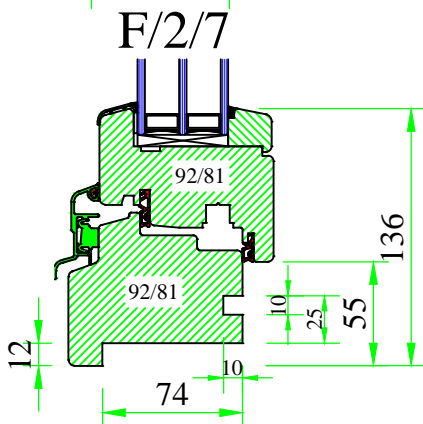
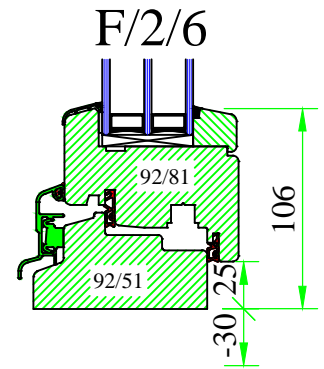
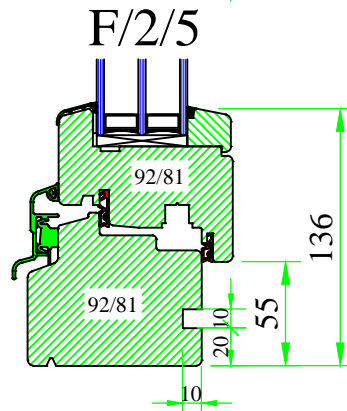
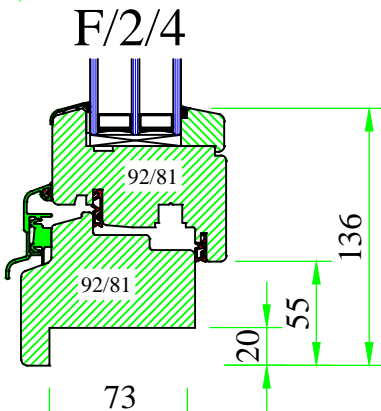
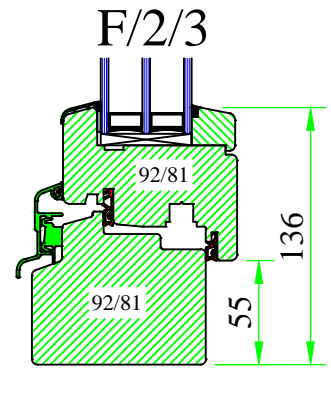
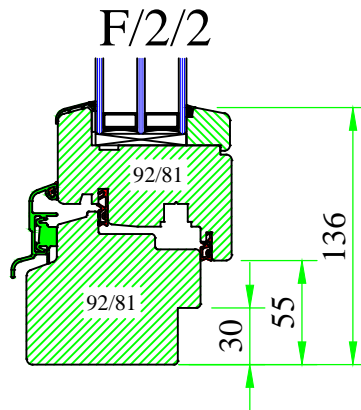
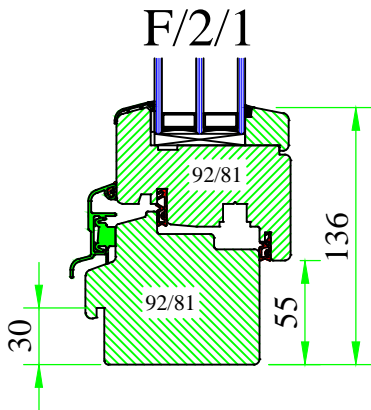
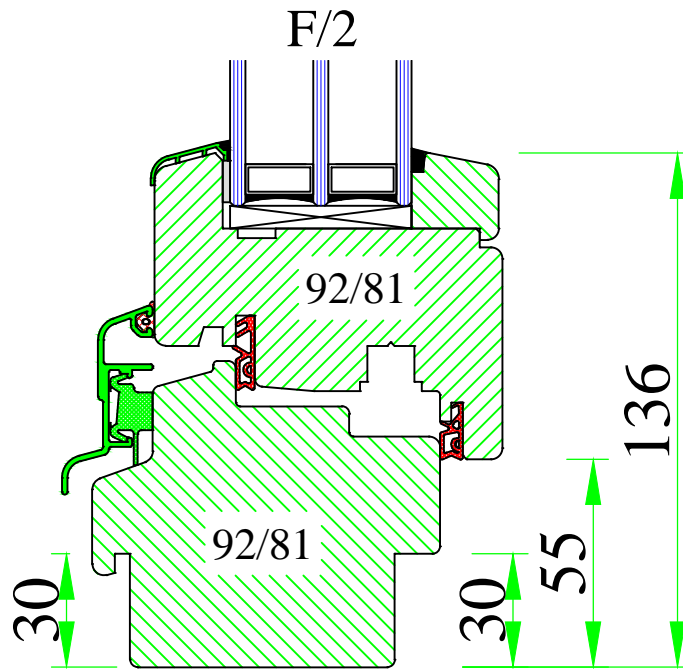
Version: 1	Scale: 1:4
Date: 23.03.17	Drawing: FHS7







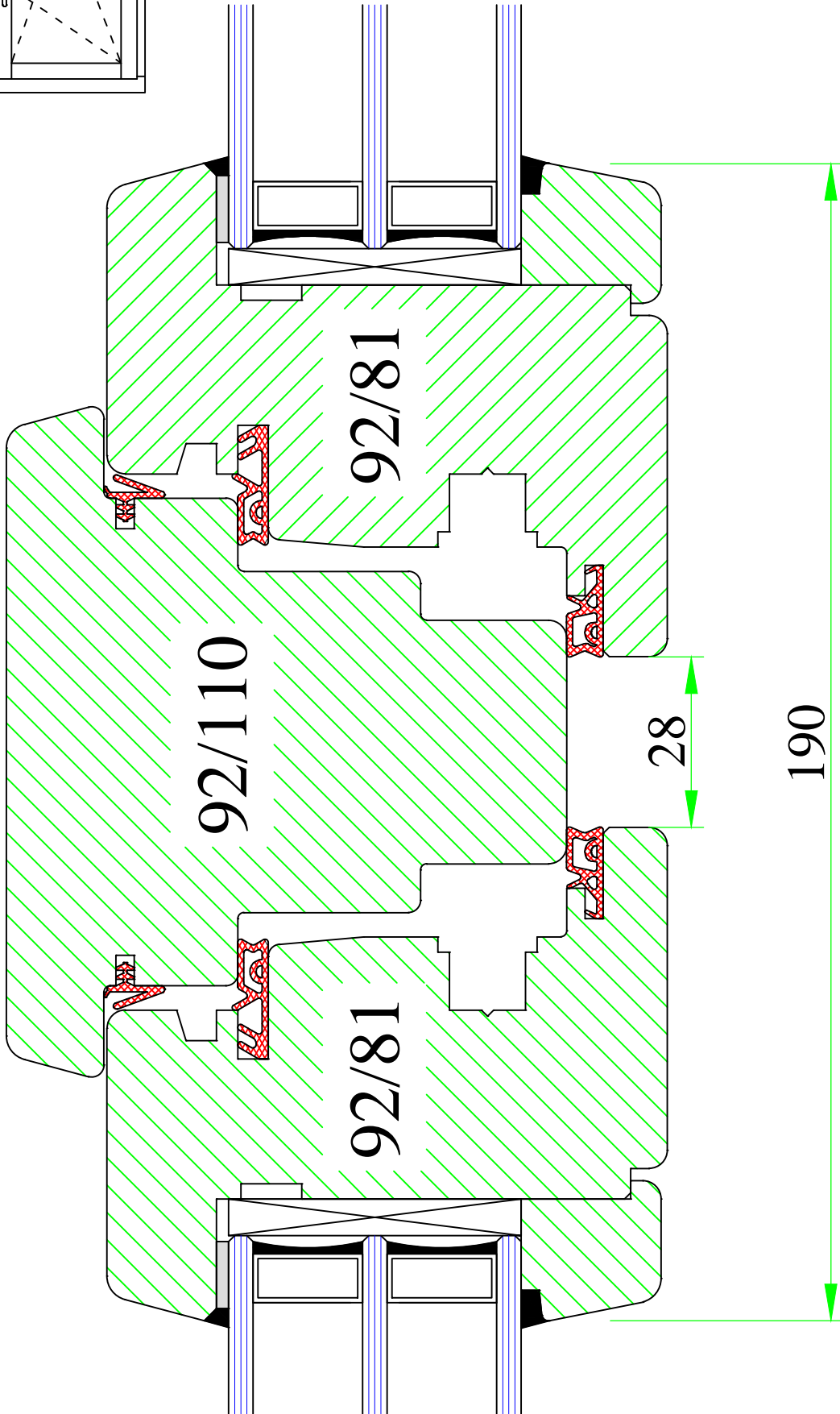
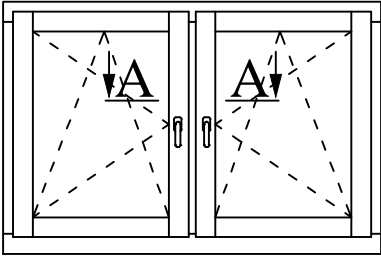
A



**UNI WINDOWS Ltd.**  
 Unit 6, Edgefield Industrial Est.  
 Loanhead, EH20 9TB  
 Tel.: 0131 448 3931

IV92 THERMO  
 Frame to sash connection - bottom profiles

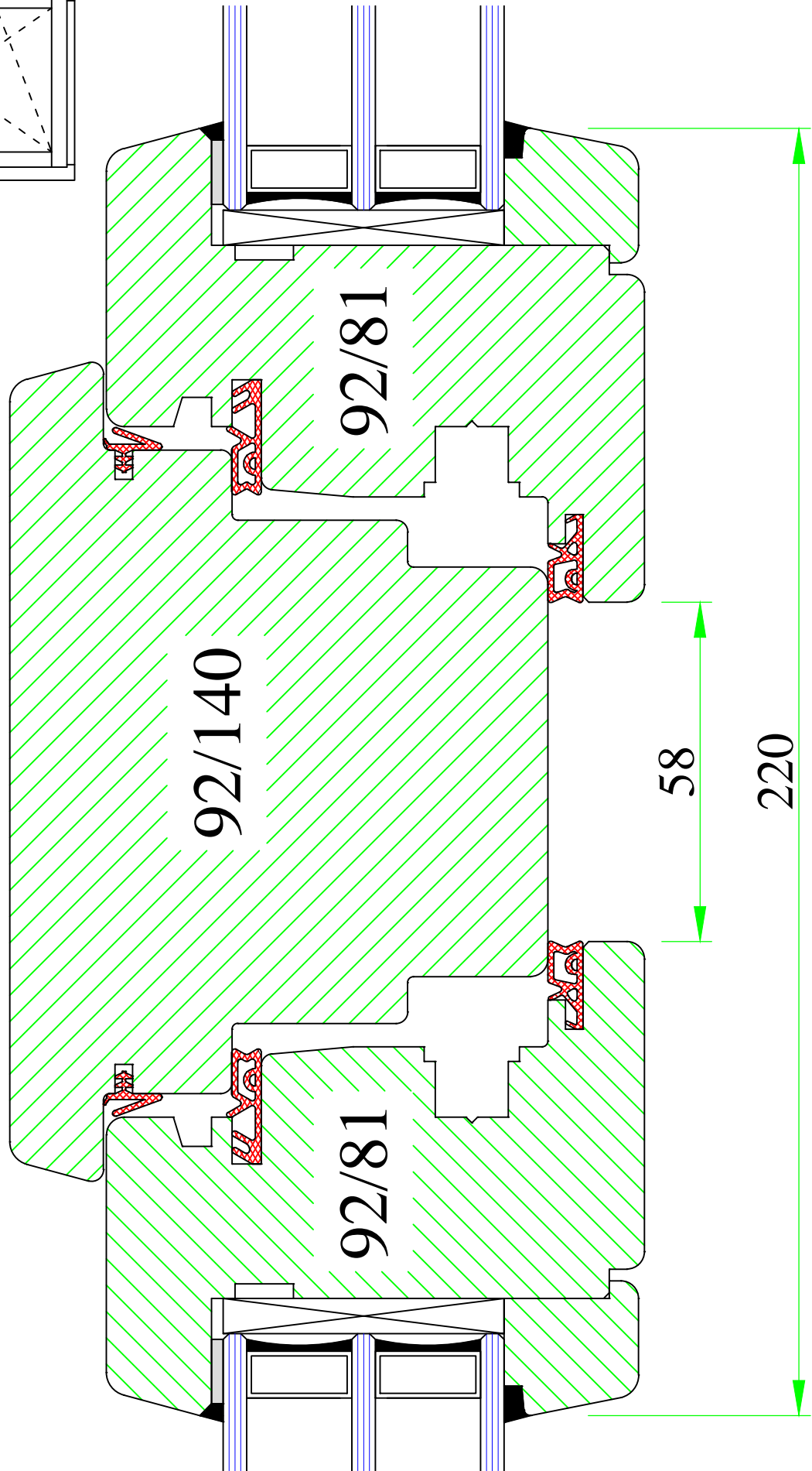
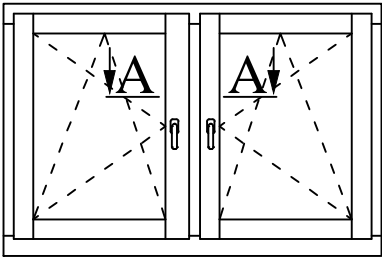
Version: 1	Scale: 1:2 1:4
Date: 23.03.17	Drawing: F2



**UNI WINDOWS Ltd.**  
 Unit 6, Edgefield Industrial Est.  
 Loanhead, EH20 9TB  
 Tel.: 0131 448 3931

**IV92 THERMO**  
 Double opening window with fixed mullion  
 110mm

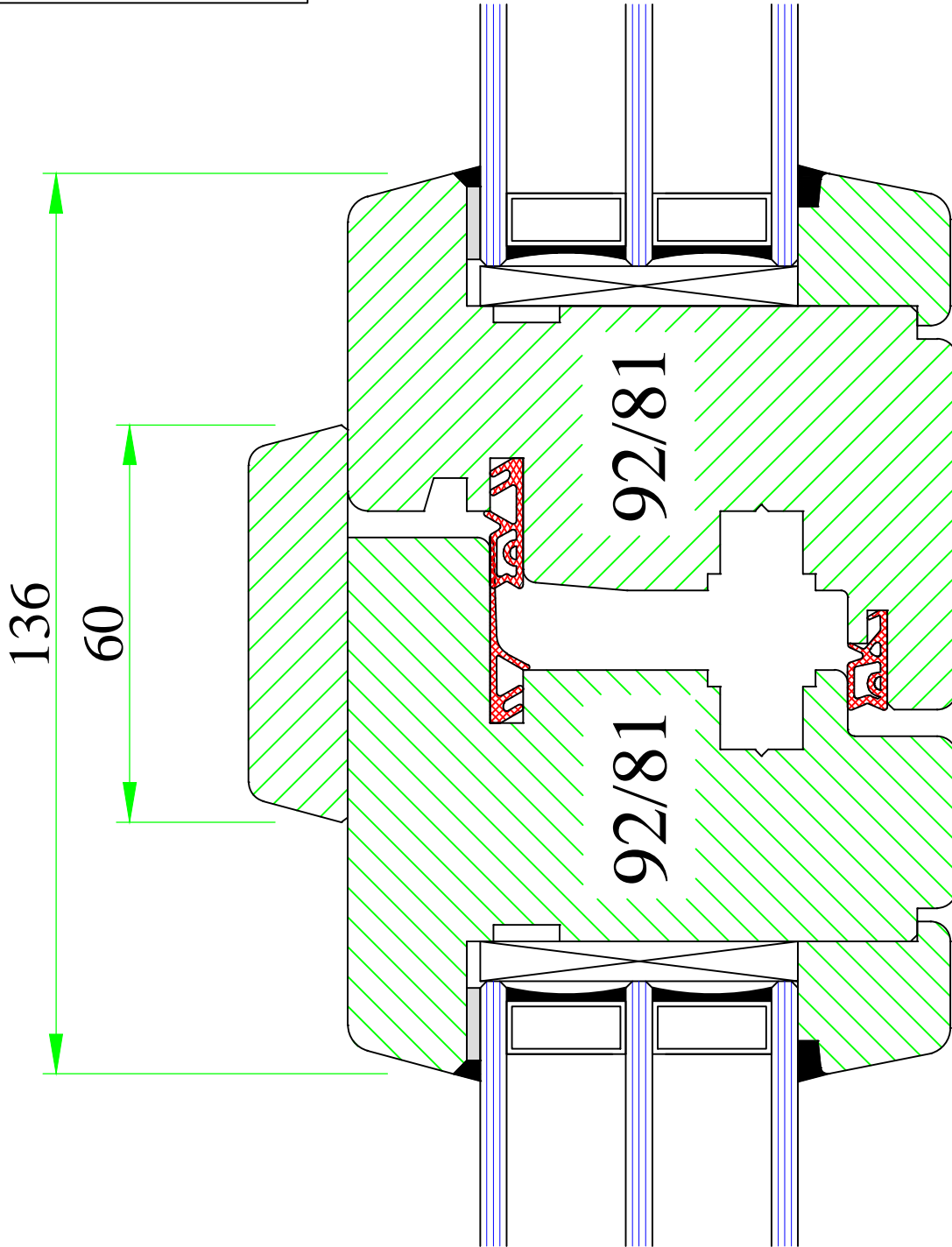
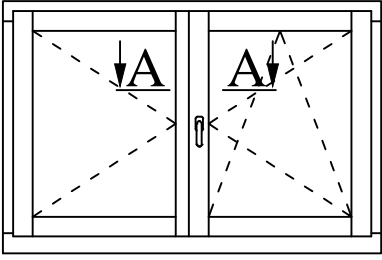
Version: 1	Scale: 1:1
Date: 23.03.17	Drawing: F3



**UNI WINDOWS Ltd.**  
 Unit 6, Edgefield Industrial Est.  
 Loanhead, EH20 9TB  
 Tel.: 0131 448 3931

**IV92 THERMO**  
 Double opening window with fixed mullion  
 140mm

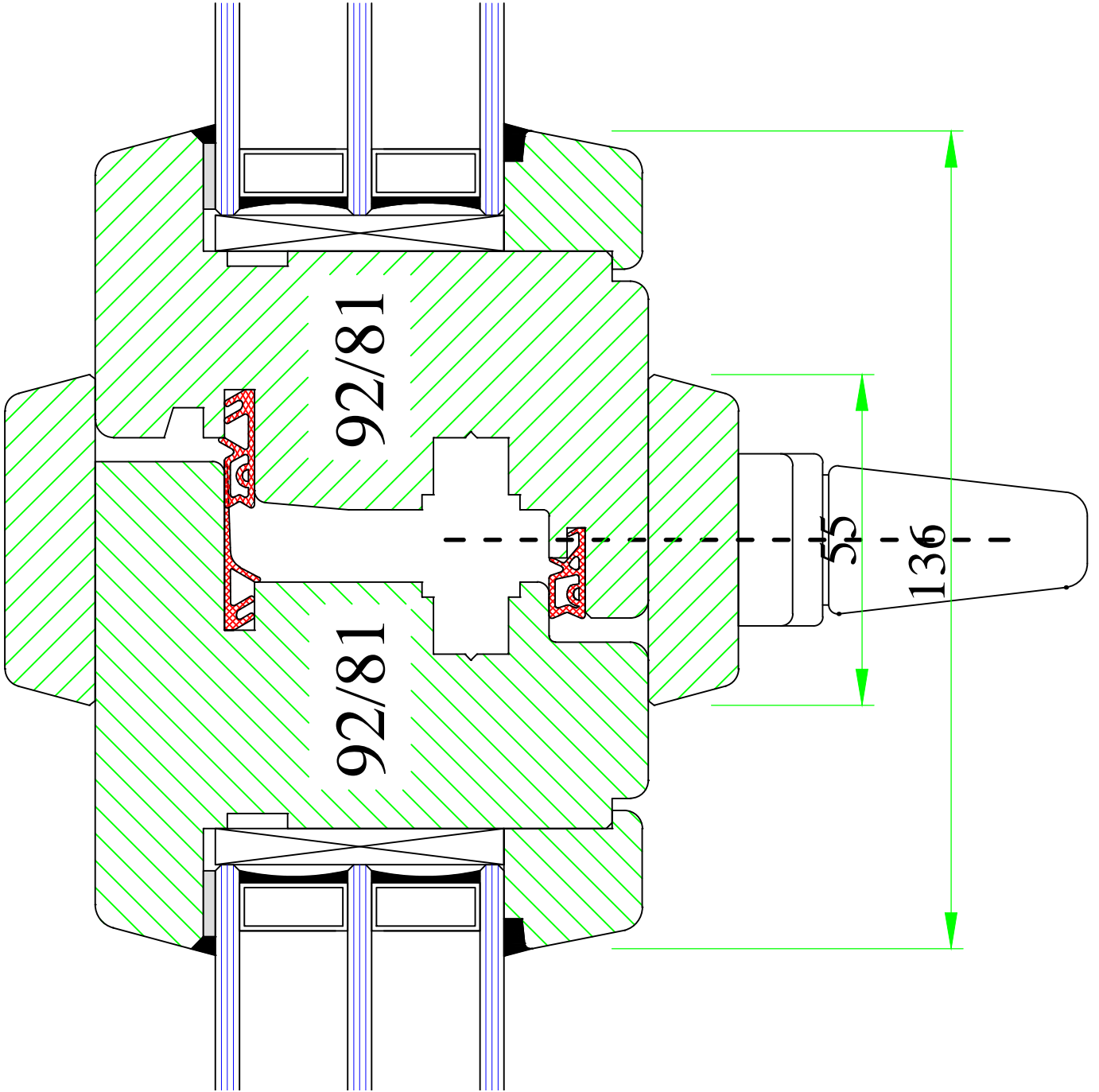
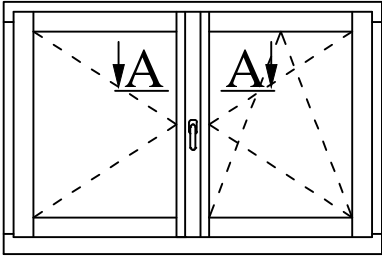
Version: 1	Scale: 1:1
Date: 23.03.17	Drawing: F4



**UNI WINDOWS Ltd.**  
 Unit 6, Edgefield Industrial Est.  
 Loanhead, EH20 9TB  
 Tel.: 0131 448 3931

**IV92 THERMO**  
 Double opening window with flying mullion

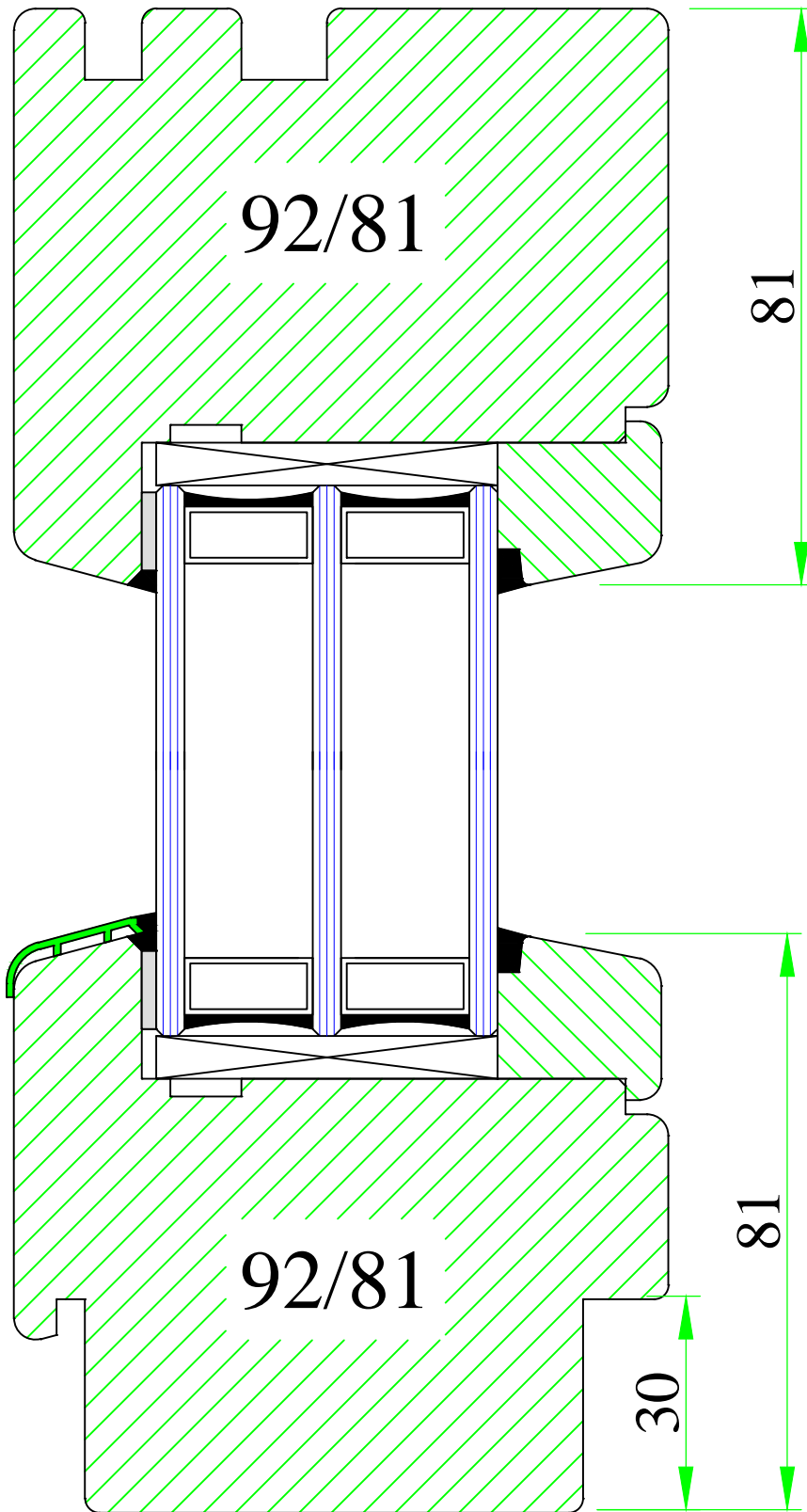
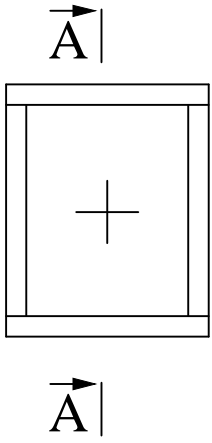
Version: 1	Scale: 1:1
Date: 23.03.17	Drawing: F5



**UNI WINDOWS Ltd.**  
 Unit 6, Edgefield Industrial Est.  
 Loanhead, EH20 9TB  
 Tel.: 0131 448 3931

**IV92 THERMO**  
 Flying mullion with handle in the middle

Version: 1	Scale: 1:1
Date: 23.03.17	Drawing: F5-1



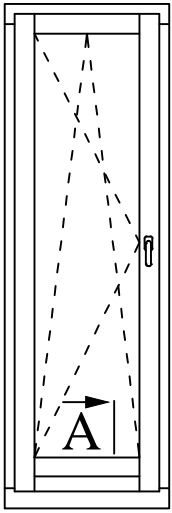
**UNI WINDOWS Ltd.**  
 Unit 6, Edgefield Industrial Est.  
 Loanhead, EH20 9TB  
 Tel.: 0131 448 3931

Fixed window

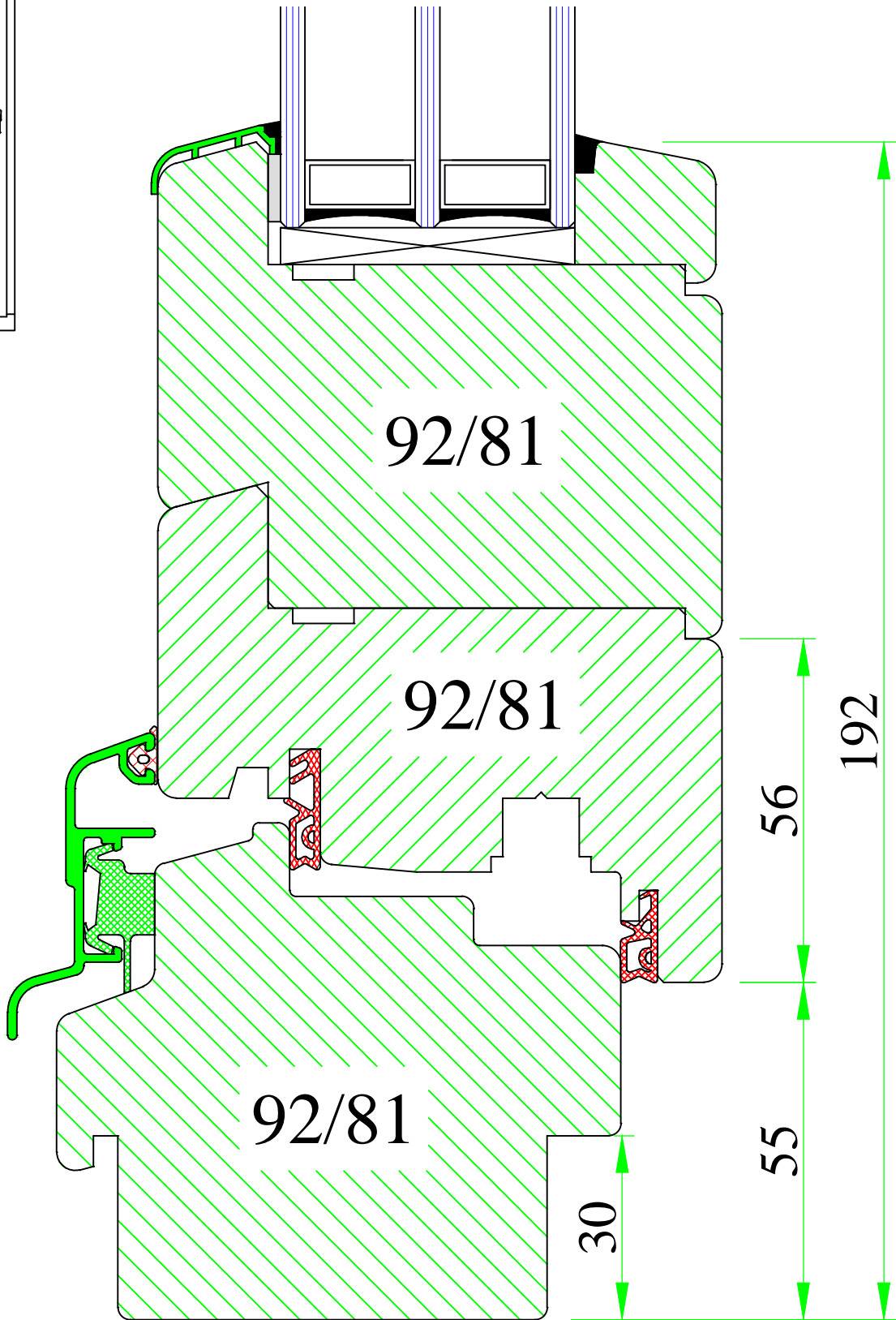
IV92 THERMO

Version:  
1  
Date:  
23.03.17

Scale:  
1:1  
Drawing:  
F6



A



www.uniwin.co.uk

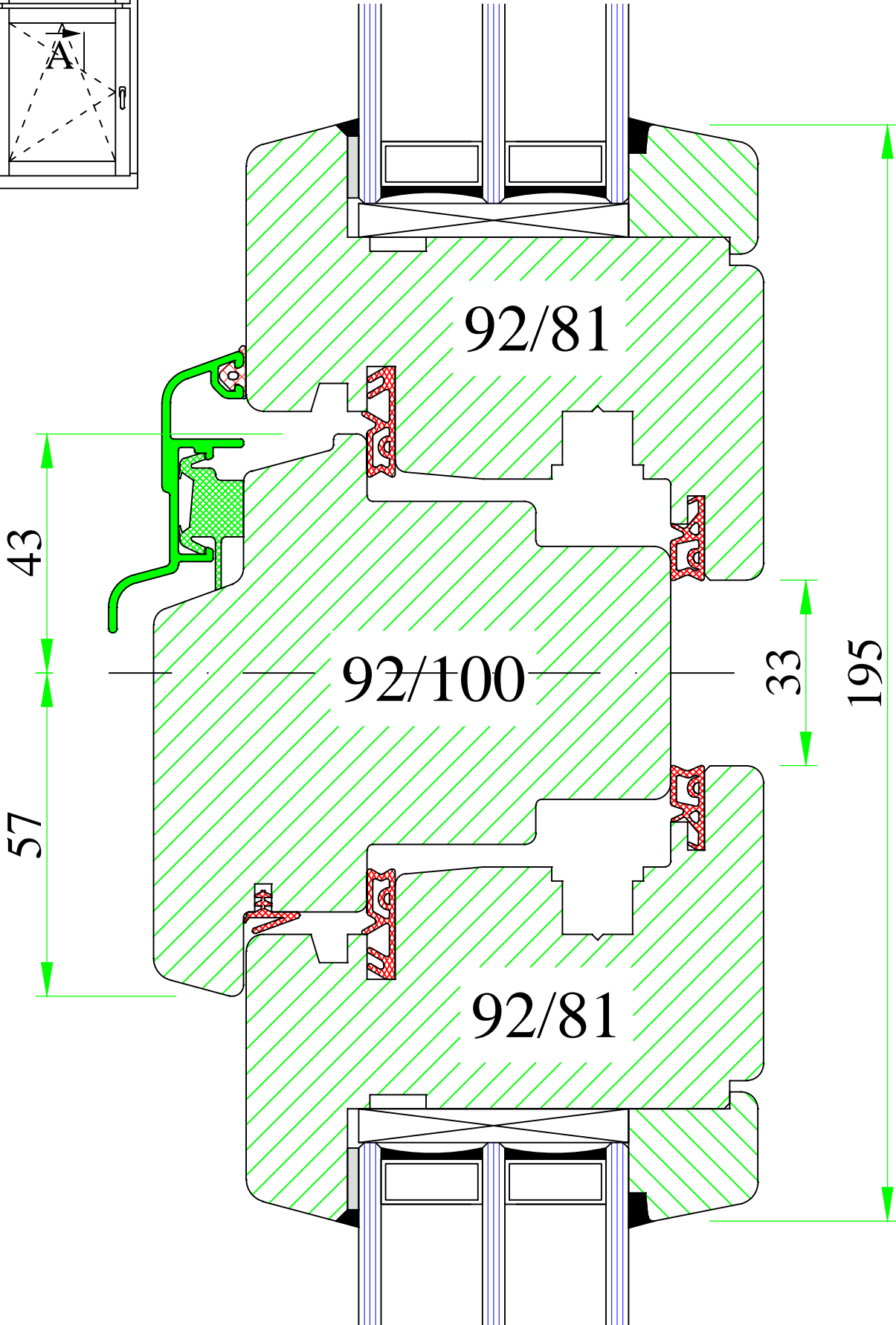
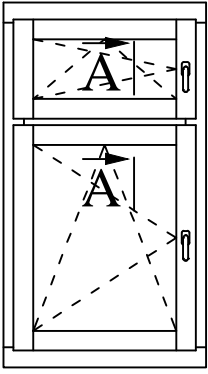


**UNI WINDOWS Ltd.**  
 Unit 6, Edgefield Industrial Est.  
 Loanhead, EH20 9TB  
 Tel.: 0131 448 3931

IV92 THERMO  
 Balcony door - frame to sash connection  
 bottom

Version: 1	Scale: 1:1
Date: 23.03.17	Drawing: F7

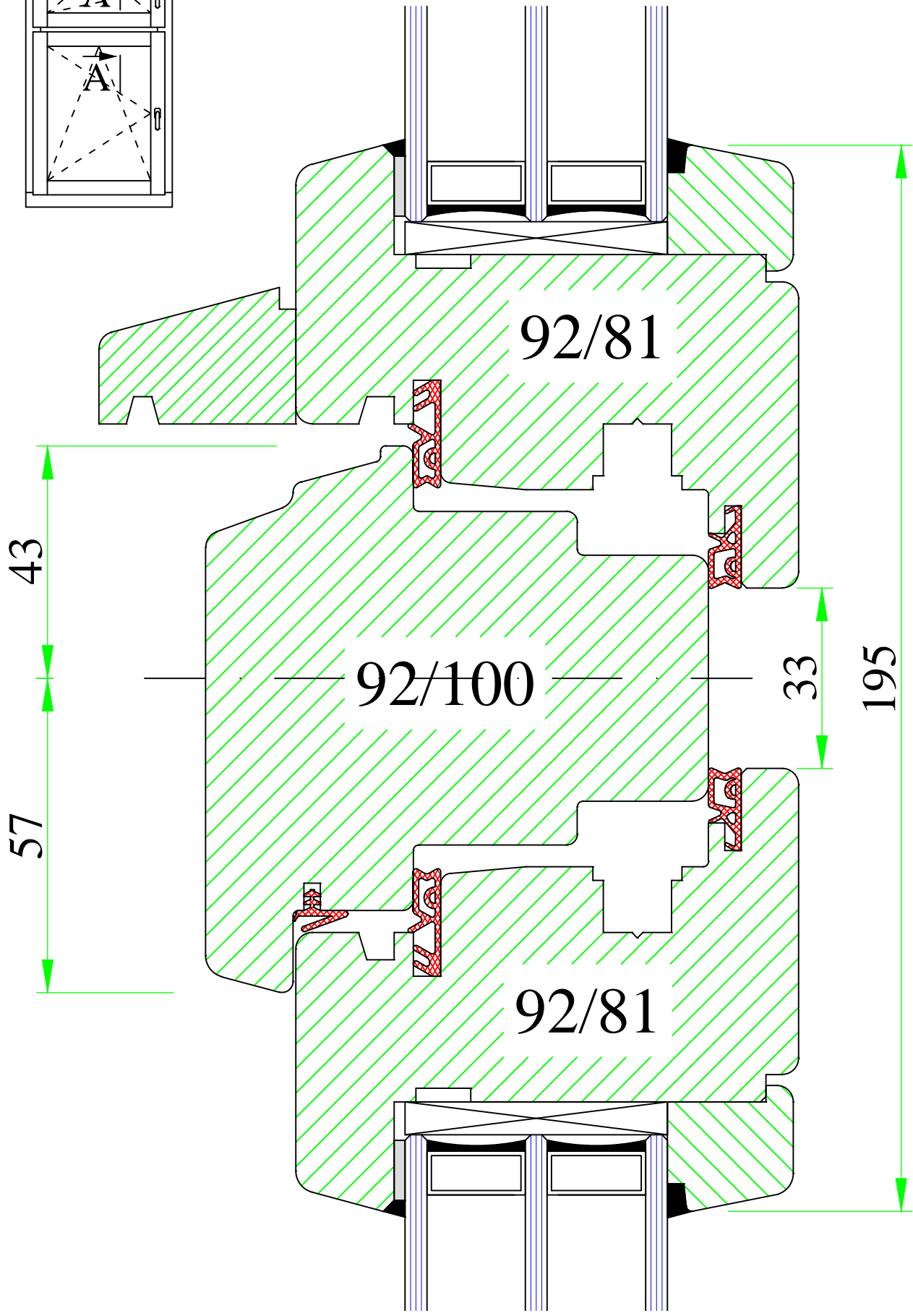
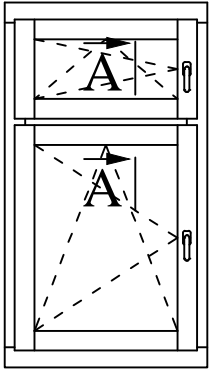




**UNI WINDOWS Ltd.**  
 Unit 6, Edgefield Industrial Est.  
 Loanhead, EH20 9TB  
 Tel.: 0131 448 3931

IV92 THERMO  
 Openable top light connection with transom  
 100mm

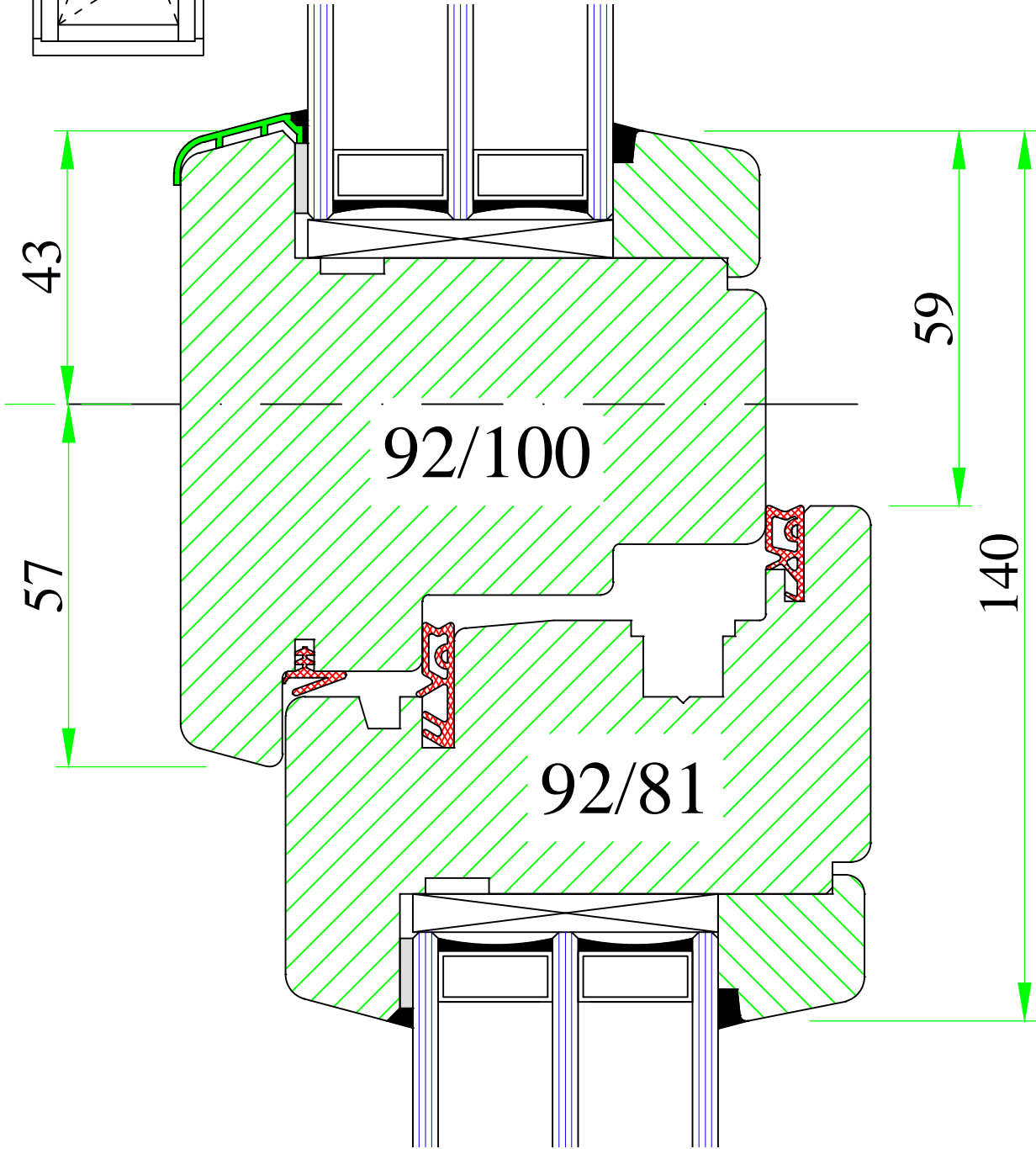
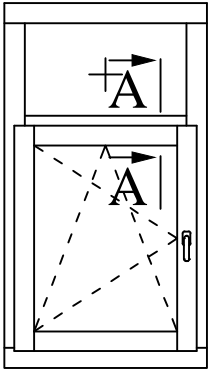
Version: 1	Scale: 1:1
Date: 23.03.17	Drawing: F8



**UNI WINDOWS Ltd.**  
 Unit 6, Edgefield Industrial Est.  
 Loanhead, EH20 9TB  
 Tel.: 0131 448 3931

IV92 THERMO  
 Openable top light connection with transom  
 100mm - with wooden lip

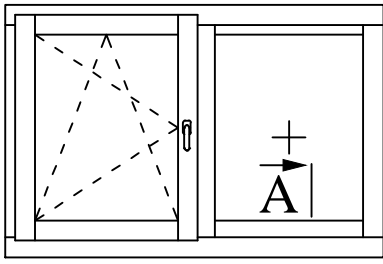
Version: 1	Scale: 1:1
Date: 23.03.17	Drawing: F8-1



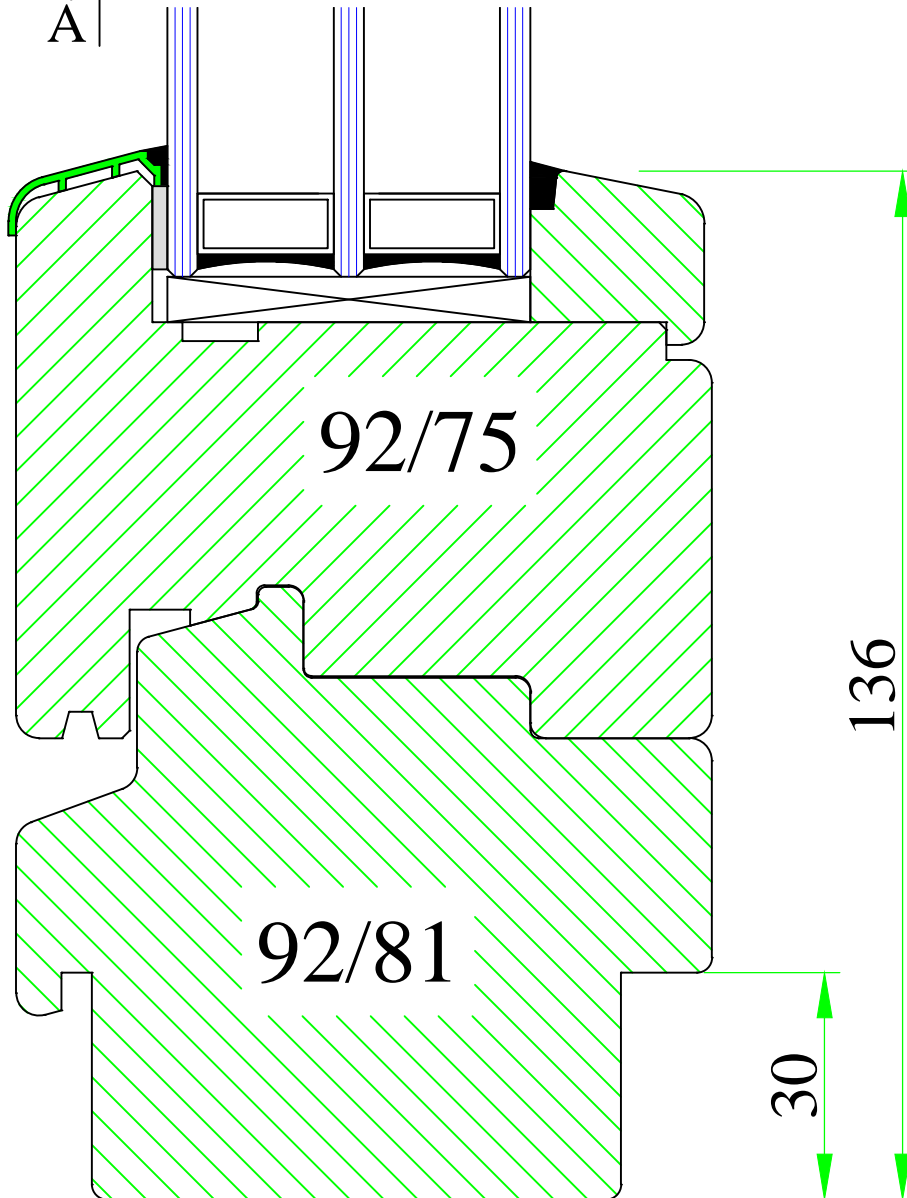
**UNI WINDOWS Ltd.**  
 Unit 6, Edgefield Industrial Est.  
 Loanhead, EH20 9TB  
 Tel.: 0131 448 3931

**IV92 THERMO**  
 Tilt & turn window with fixed top light  
 connection

Version: 1	Scale: 1:1
Date: 23.03.17	Drawing: F9



A



92/75

92/81

136

30

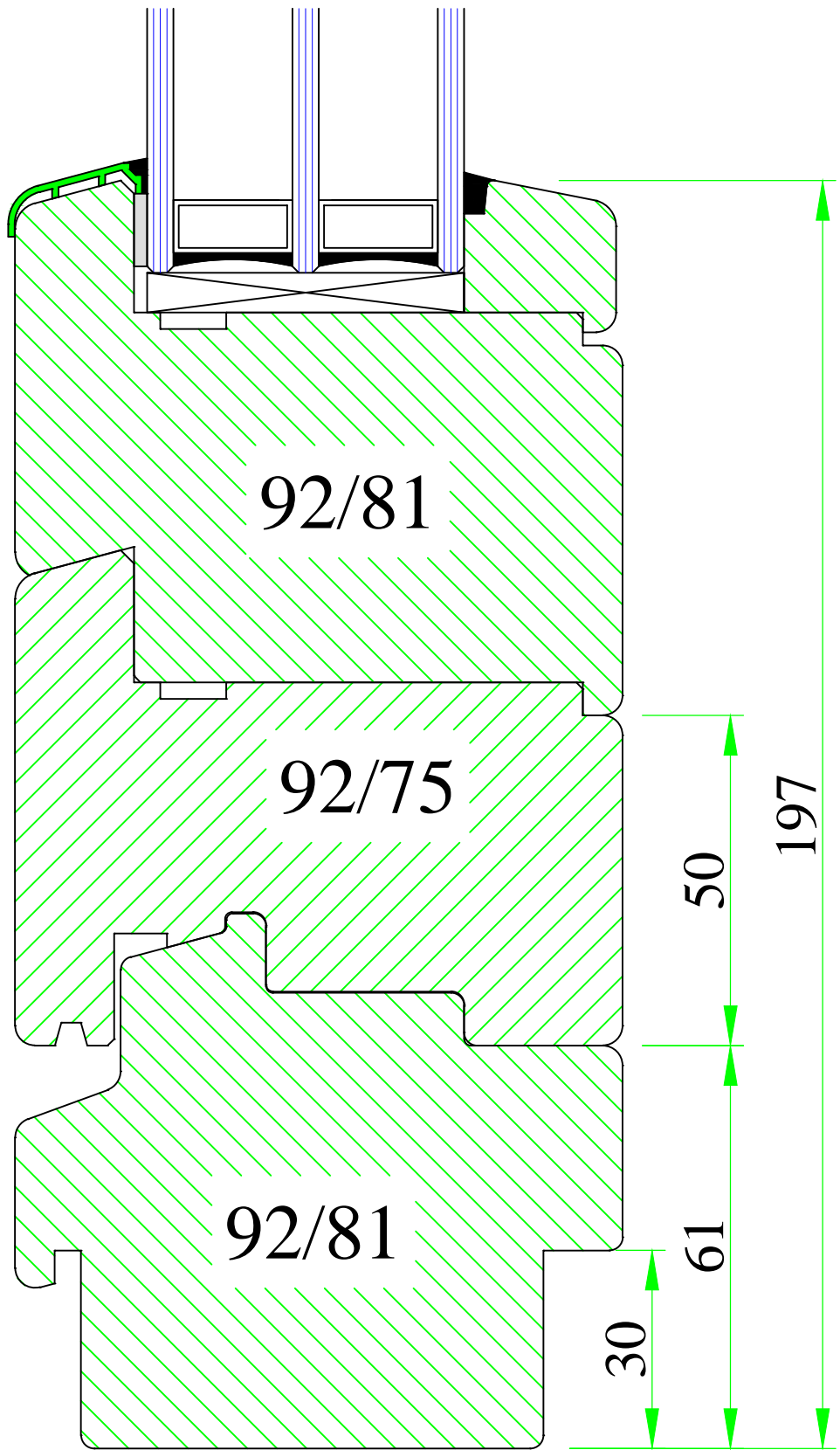
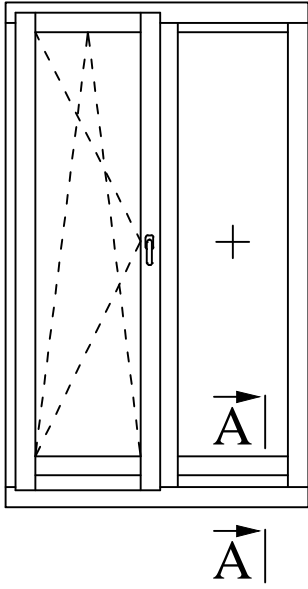


**UNI WINDOWS Ltd.**  
 Unit 6, Edgefield Industrial Est.  
 Loanhead, EH20 9TB  
 Tel.: 0131 448 3931

IV92 THERMO  
 Glass line lignment window - bottom

Version:  
1  
 Date:  
23.03.17

Scale:  
1:1  
 Drawing:  
F10



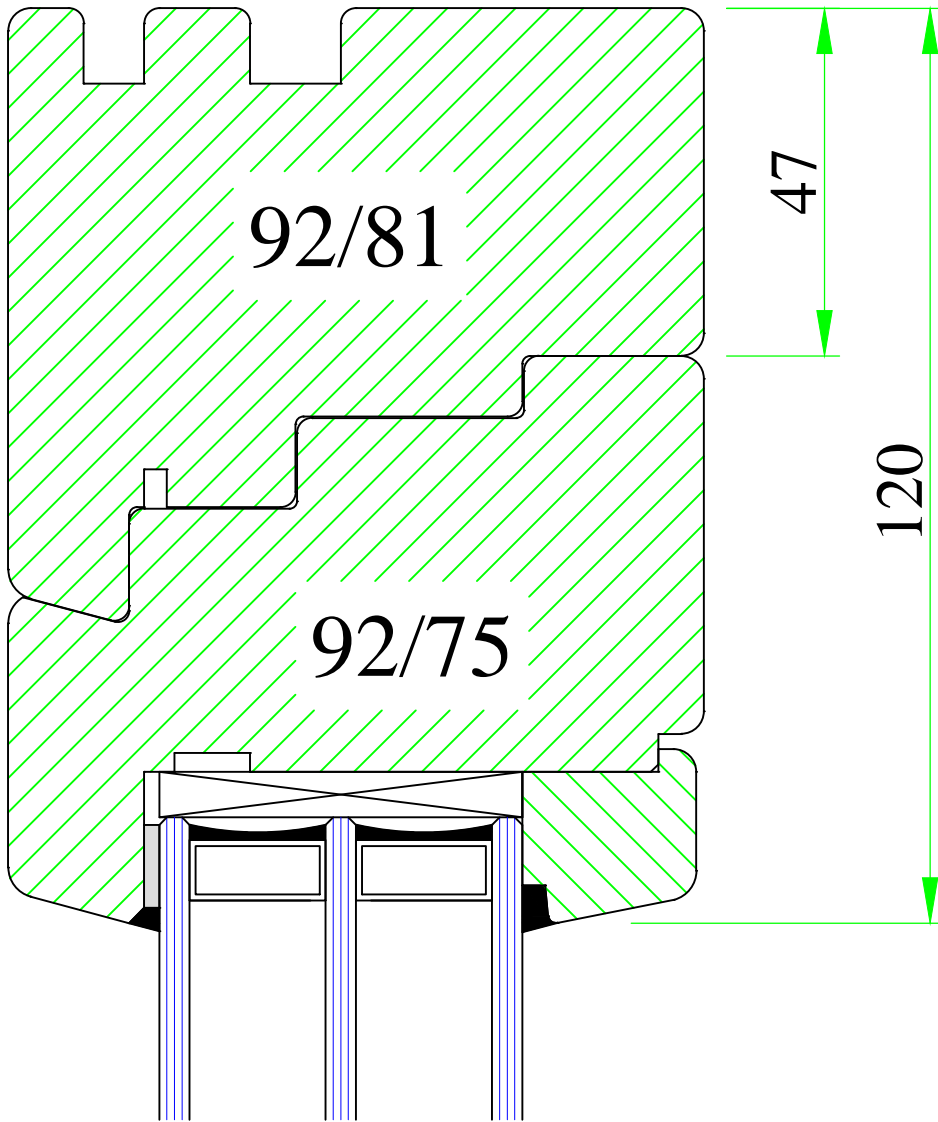
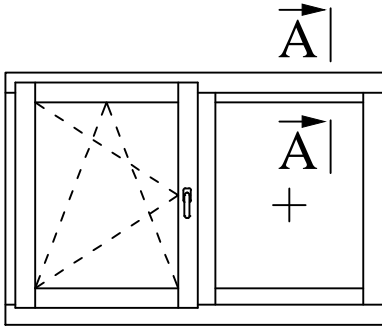
www.uniwin.co.uk

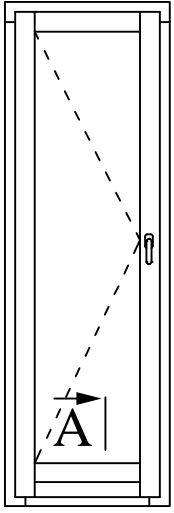


**UNI WINDOWS Ltd.**  
 Unit 6, Edgefield Industrial Est.  
 Loanhead, EH20 9TB  
 Tel.: 0131 448 3931

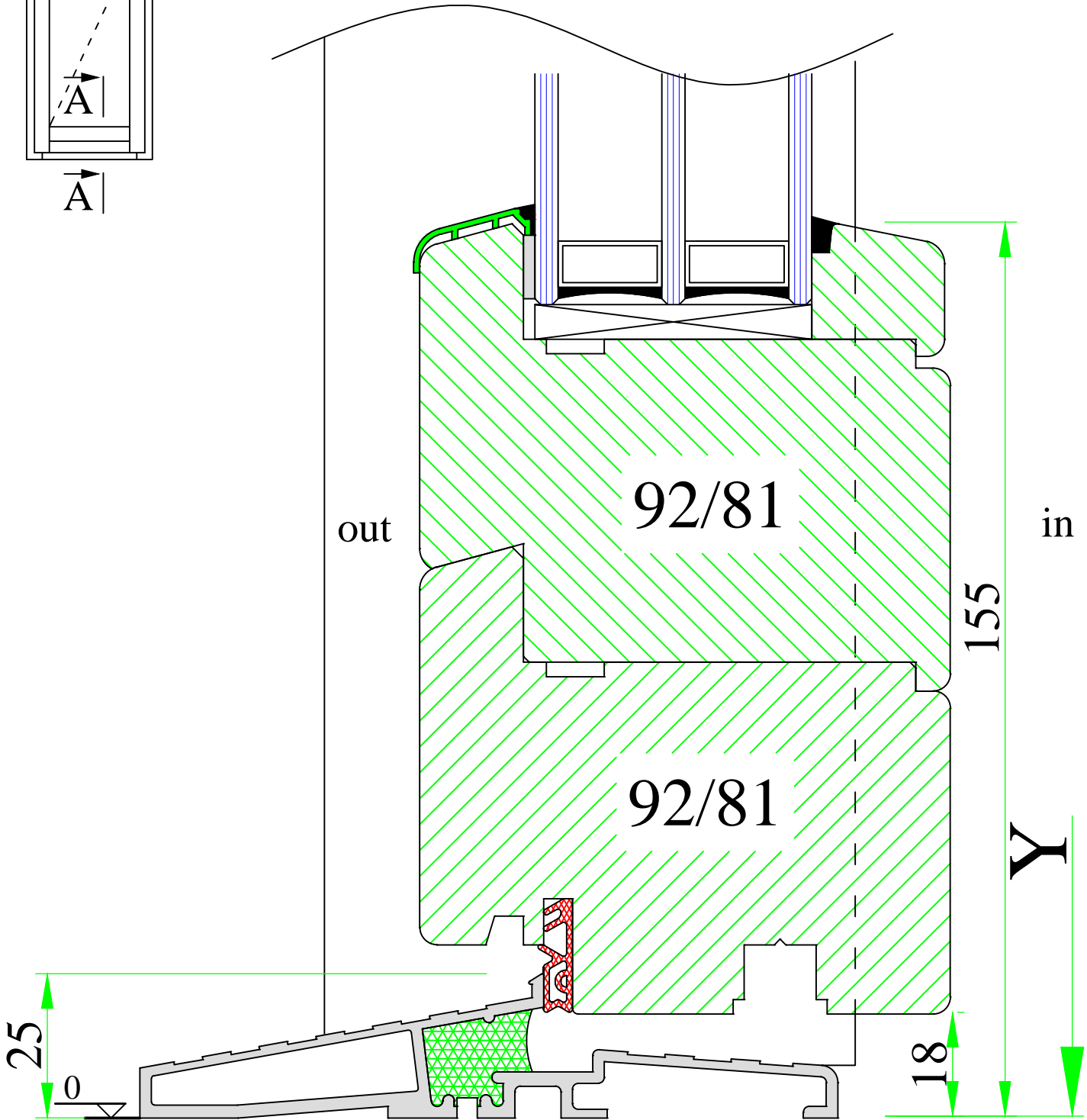
IV92 THERMO  
 Glass line alignment balcony door - bottom

Version: 1	Scale: 1:1
Date: 23.03.17	Drawing: F11





A



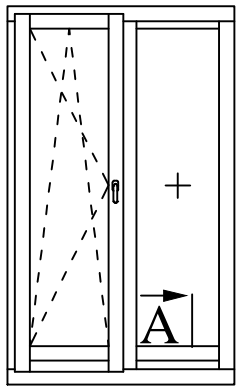
www.uniwin.co.uk



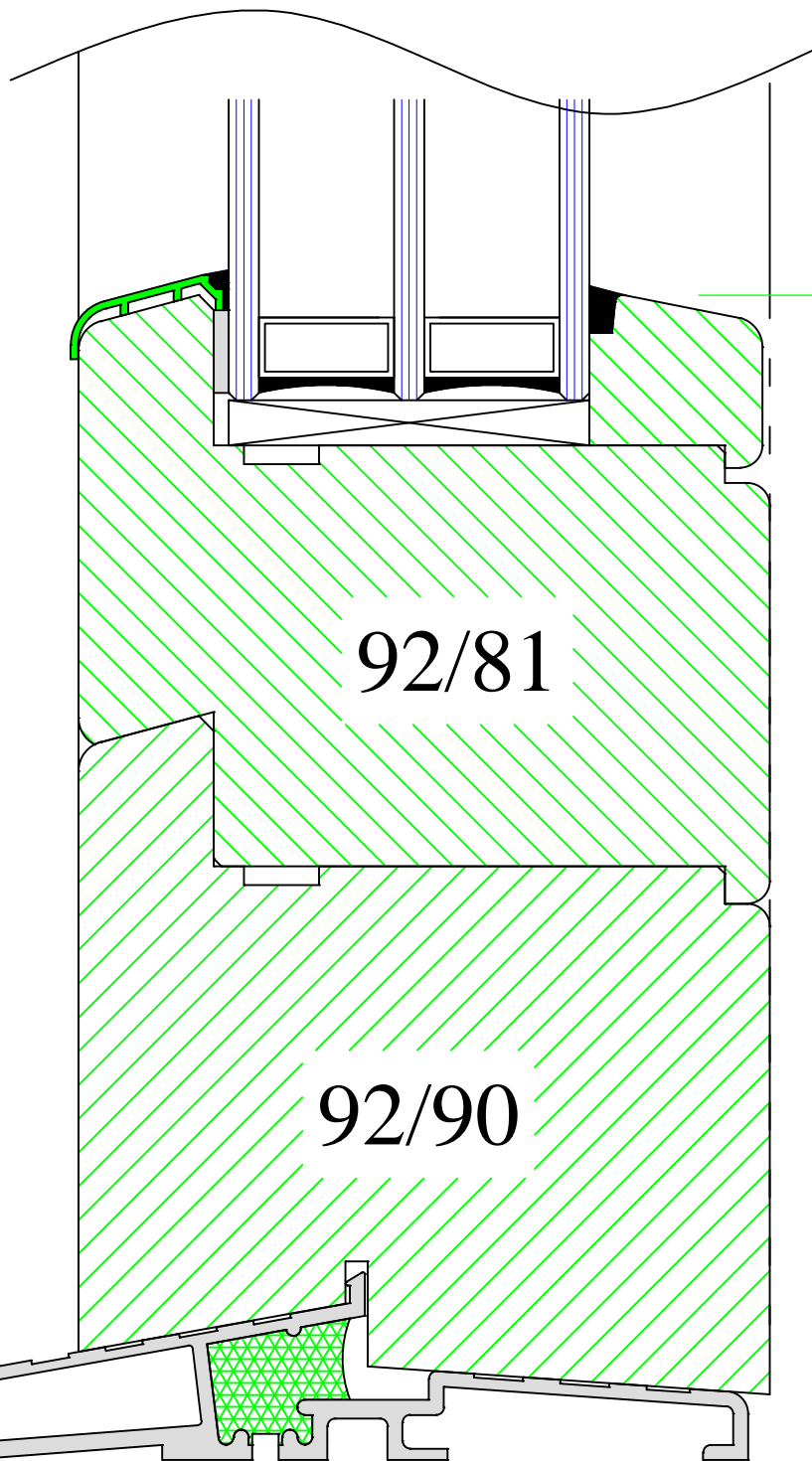
**UNI WINDOWS Ltd.**  
 Unit 6, Edgefield Industrial Est.  
 Loanhead, EH20 9TB  
 Tel.: 0131 448 3931

IV92 THERMO  
 Balcony door with aluminium threshold  
 DAFA

Version: 1	Scale: 1:1
Date: 23.03.17	Drawing: F13



A



out

92/81

in

155

92/90

Y

0

www.uniwin.co.uk



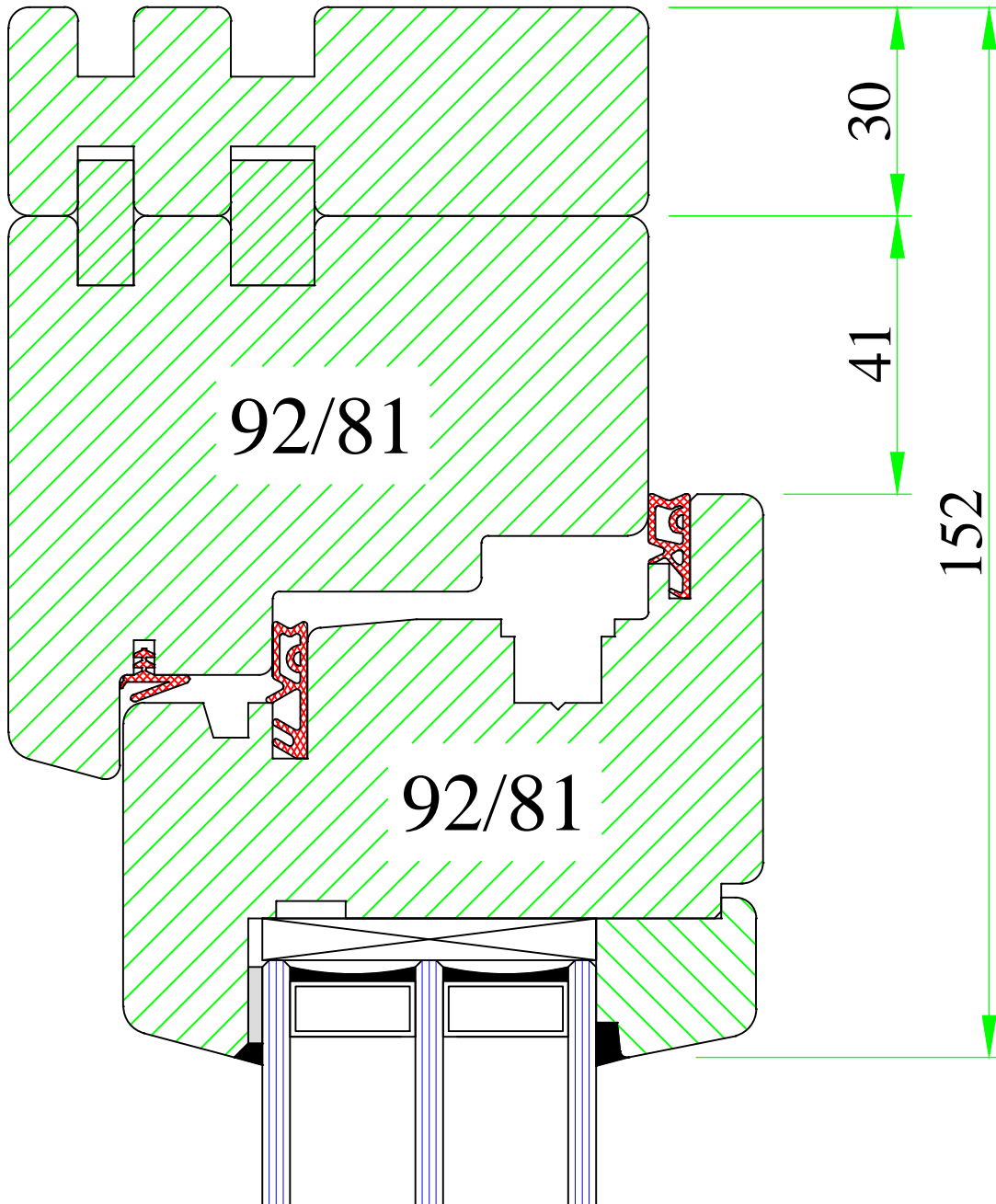
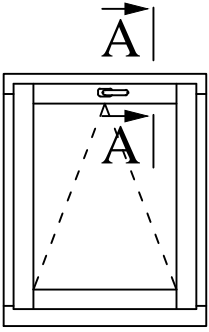
**UNI WINDOWS Ltd.**  
 Unit 6, Edgefield Industrial Est.  
 Loanhead, EH20 9TB  
 Tel.: 0131 448 3931

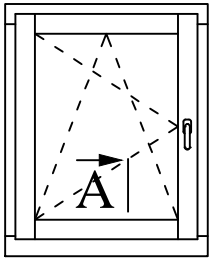
IV92 THERMO  
 Balcony with fixed side light and aluminium  
 threshold DAFA

Version:  
 1  
 Date:  
 23.03.17

Scale:  
 1:1  
 Drawing:  
 F13-1

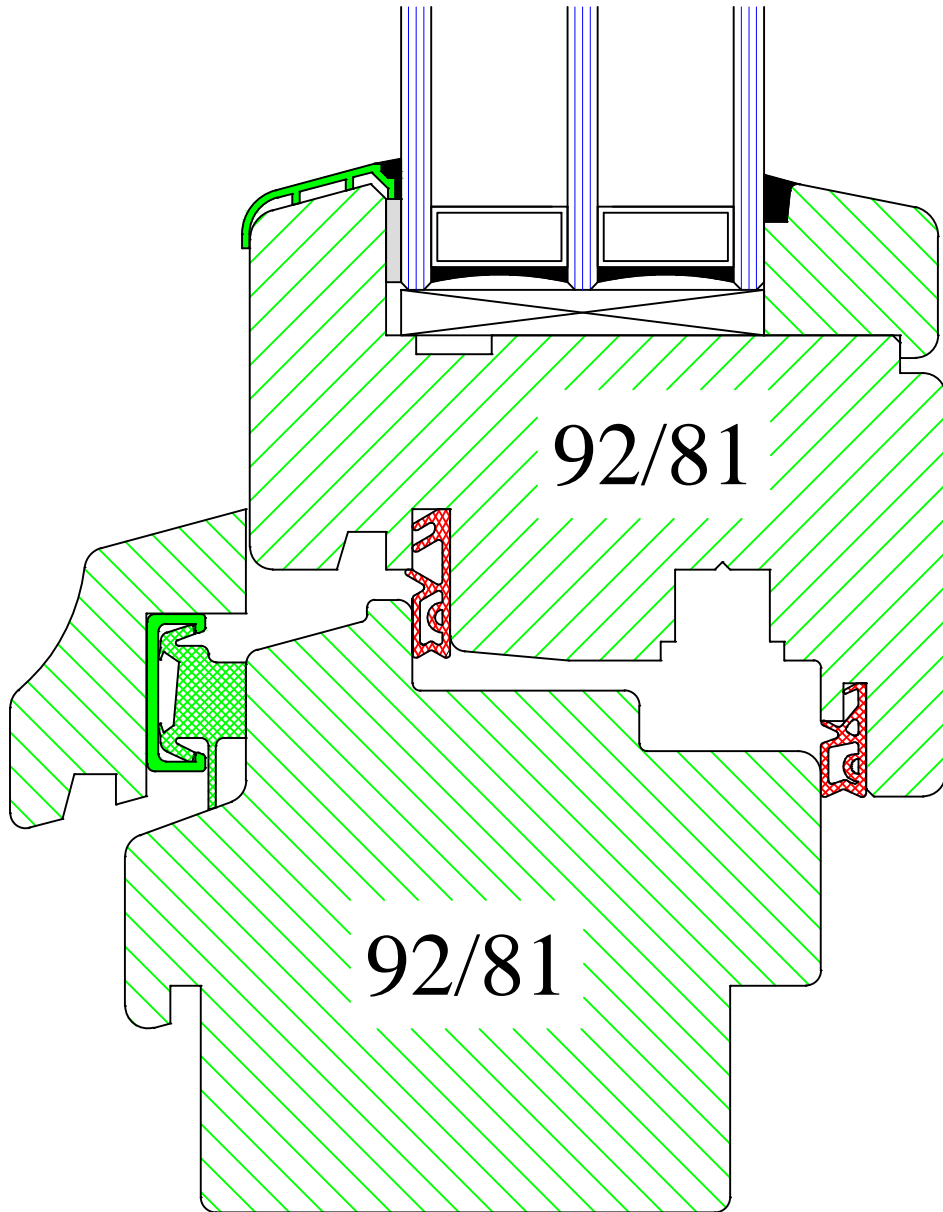


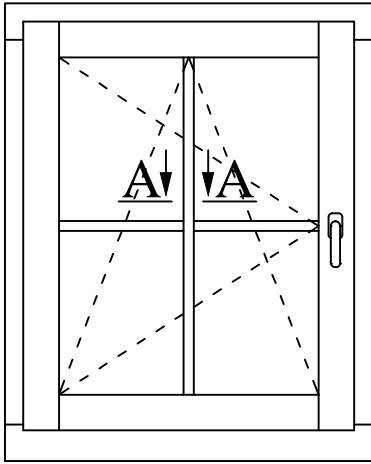




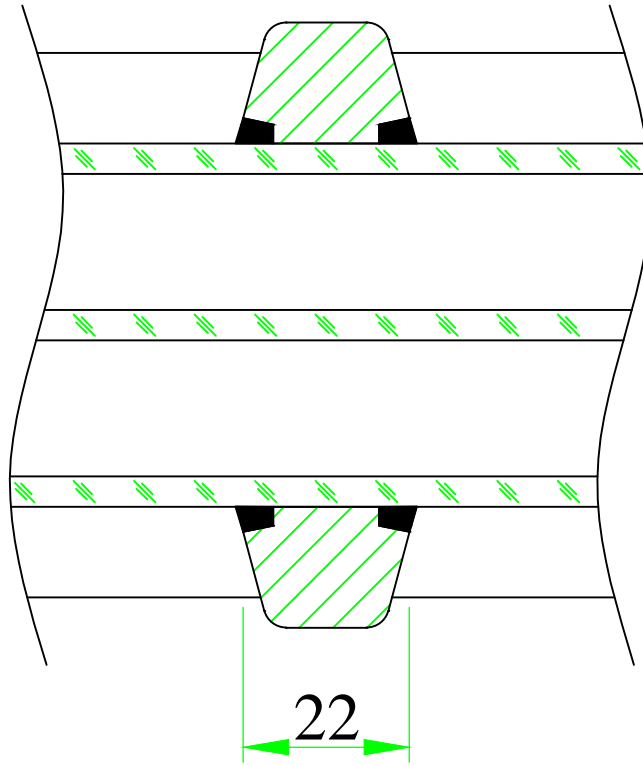
A

42

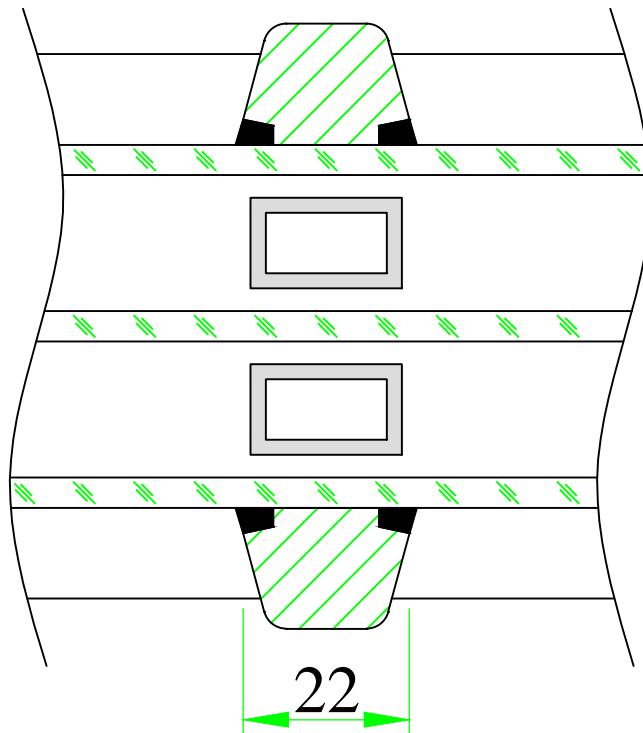




F/16



F/16/1



**UNI WINDOWS Ltd.**  
 Unit 6, Edgefield Industrial Est.  
 Loanhead, EH20 9TB  
 Tel.: 0131 448 3931

Georgian bar 22mm

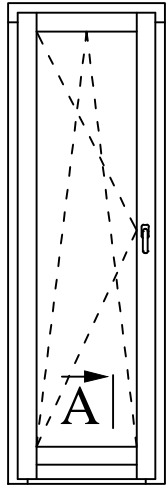
IV92 THERMO

Version:  
1

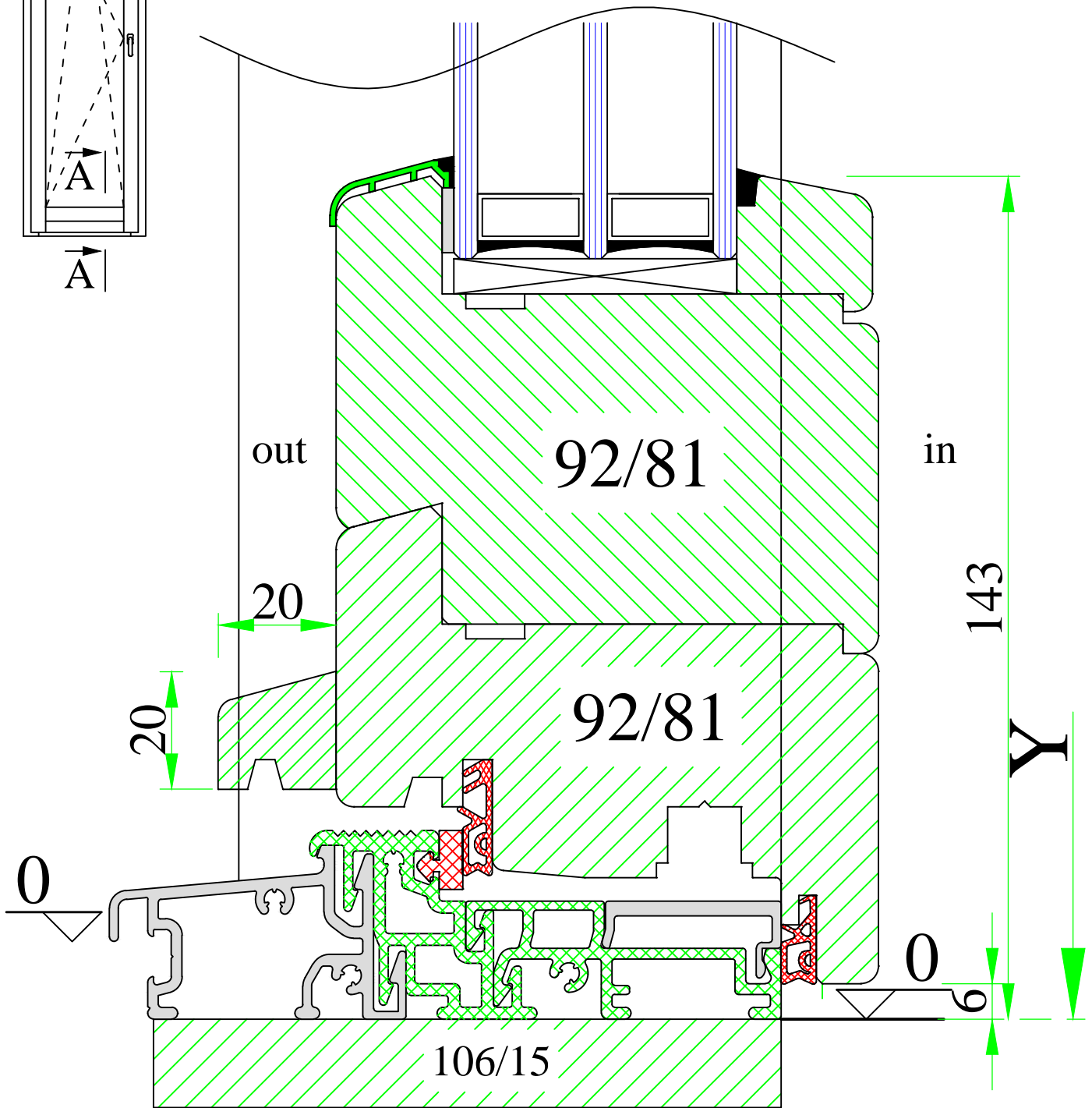
Scale:  
1:1

Date:  
23.03.17

Drawing:  
F16



A



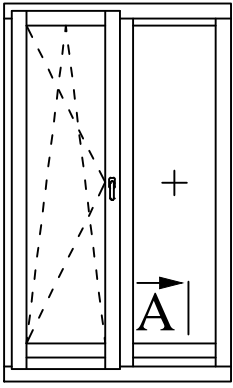
www.uniwin.co.uk



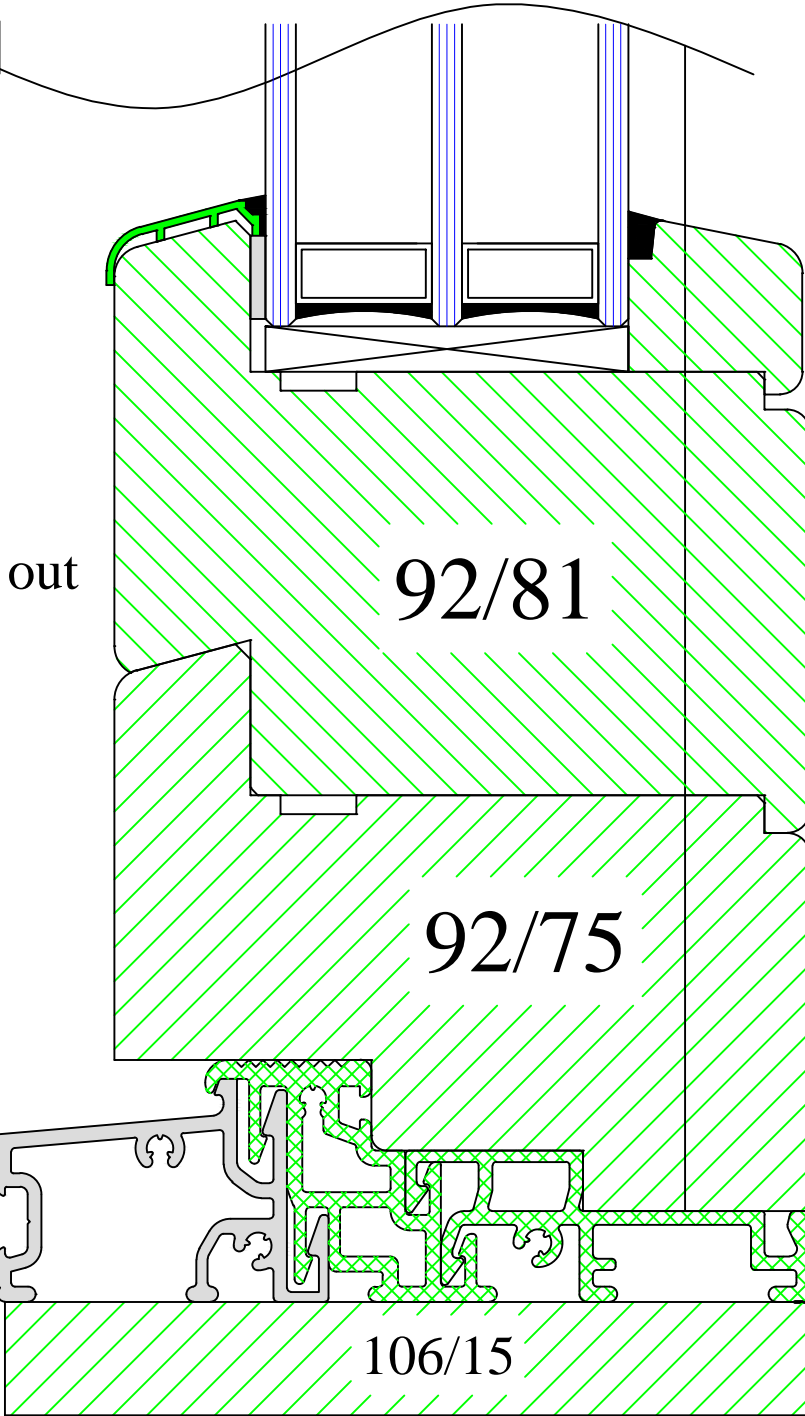
**UNI WINDOWS Ltd.**  
 Unit 6, Edgefield Industrial Est.  
 Loanhead, EH20 9TB  
 Tel.: 0131 448 3931

IV92 THERMO  
 Balcony door with aluminium threshold  
 Wesser New

Version: 1	Scale: 1:1
Date: 23.03.17	Drawing: F17



A



out

92/81

in

92/75

143

Y

0

0

106/15

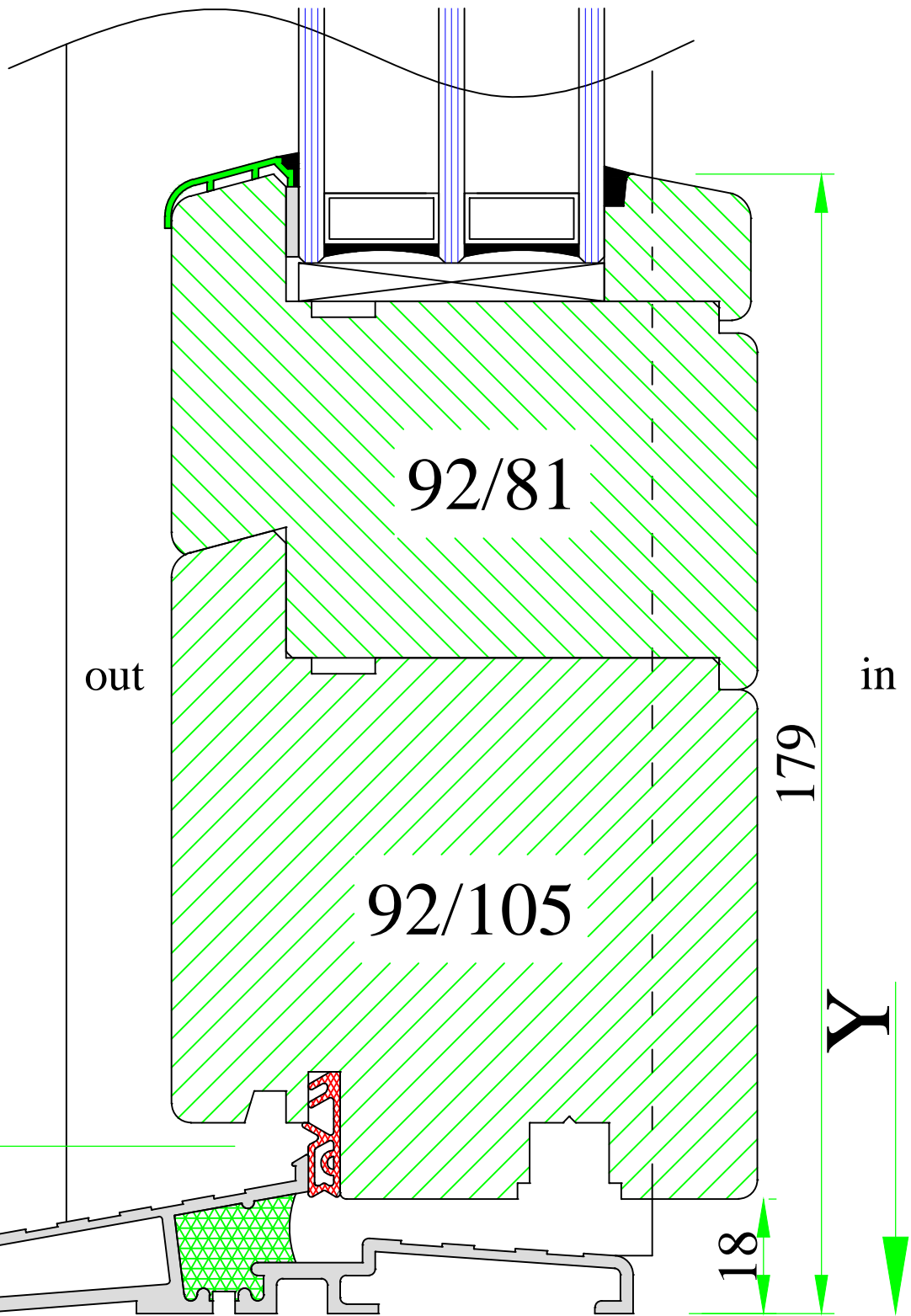
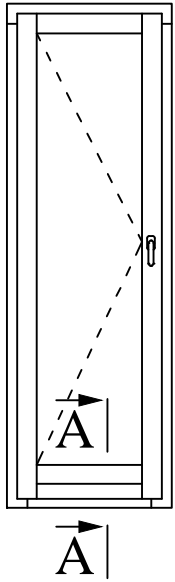


**UNI WINDOWS Ltd.**  
 Unit 6, Edgefield Industrial Est.  
 Loanhead, EH20 9TB  
 Tel.: 0131 448 3931

IV92 THERMO  
 Glass line alignment - balcony door with  
 aluminium threshold Wesser New

Version:  
 1  
 Date:  
 23.03.17

Scale:  
 1:1  
 Drawing:  
 F17-1



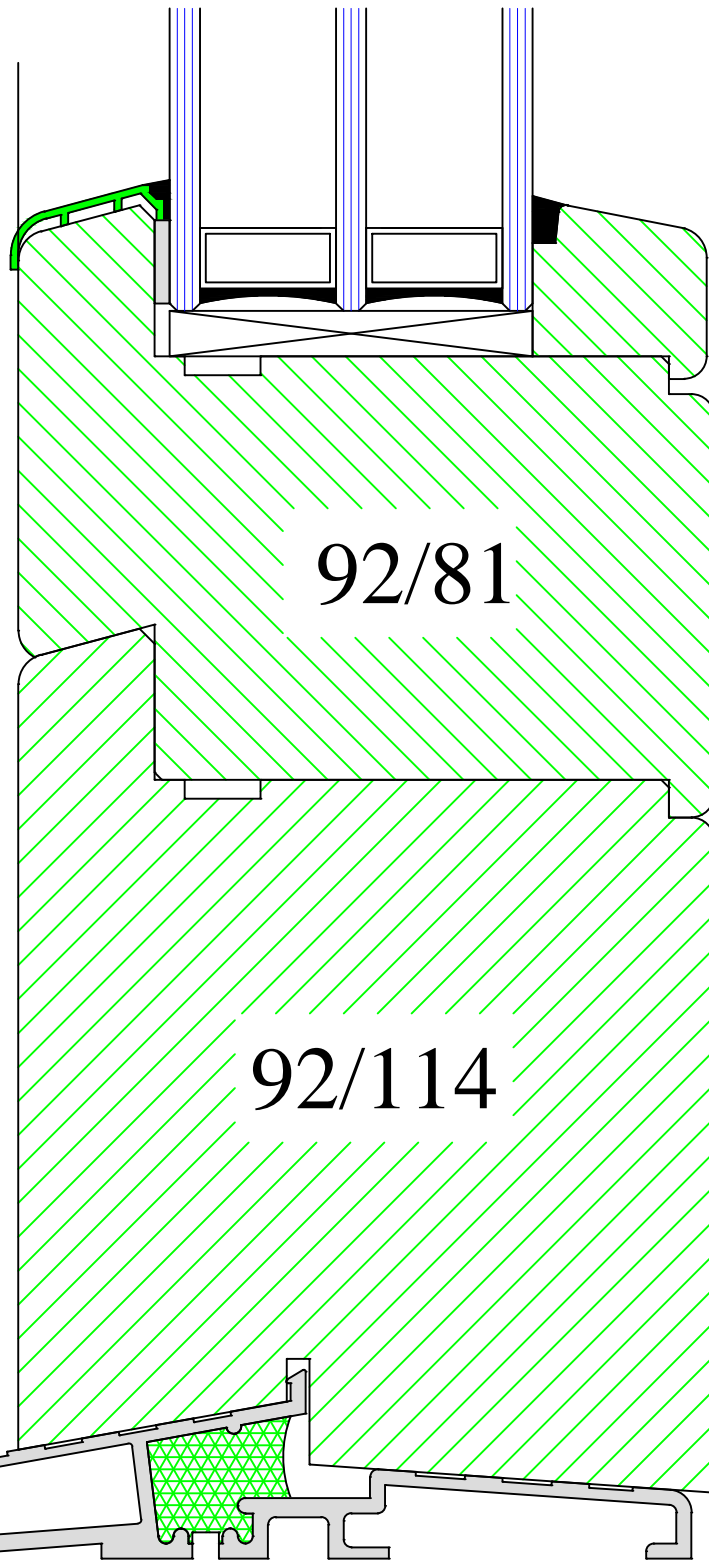
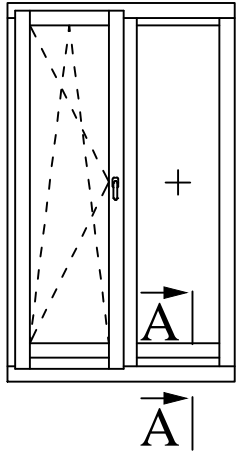
www.uniwin.co.uk



**UNI WINDOWS Ltd.**  
 Unit 6, Edgefield Industrial Est.  
 Loanhead, EH20 9TB  
 Tel.: 0131 448 3931

IV92 THERMO  
 French door with aluminium threshold DAFA

Version: 1	Scale: 1:1
Date: 23.03.17	Drawing: F18



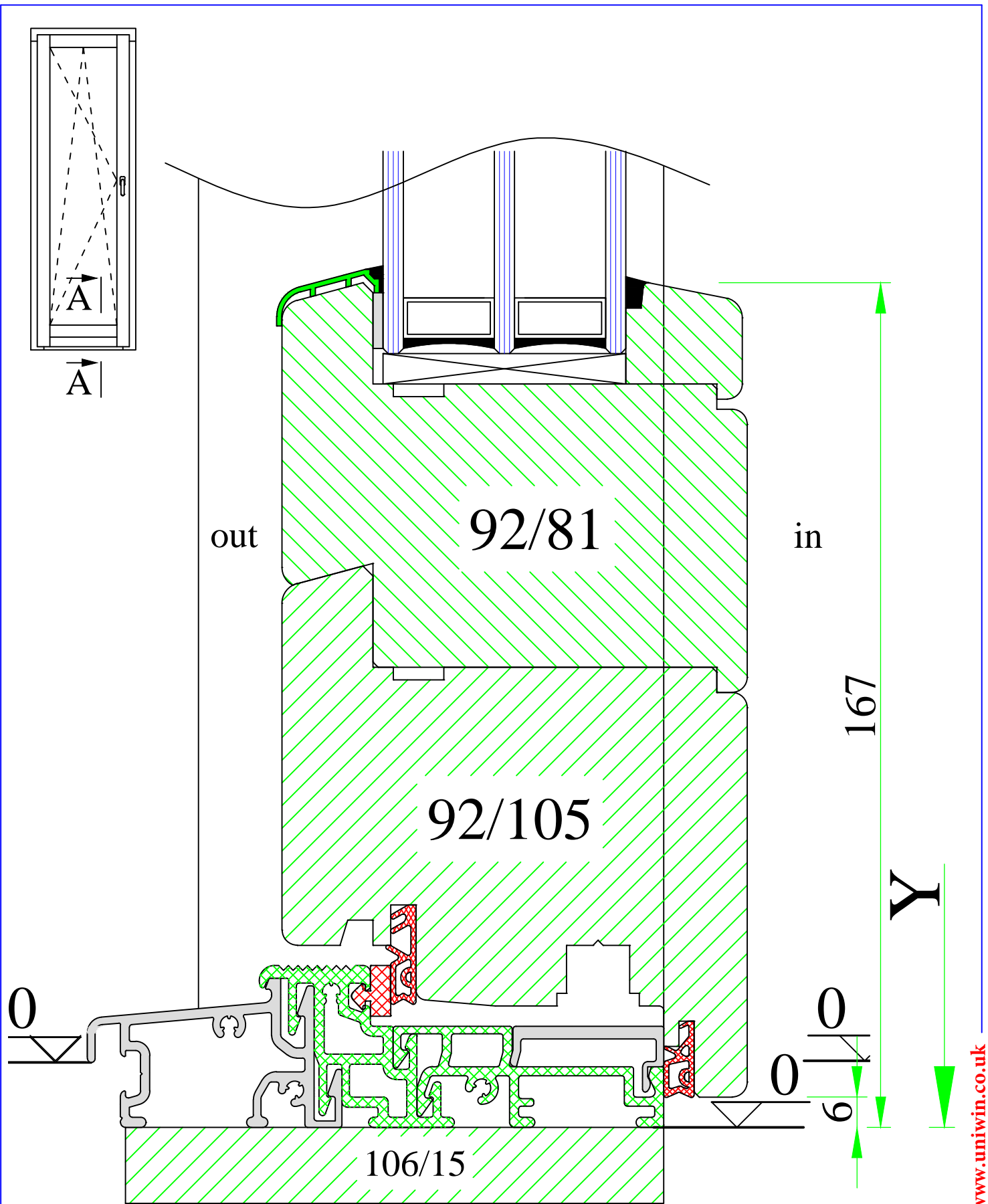
www.uniwin.co.uk



**UNI WINDOWS Ltd.**  
 Unit 6, Edgefield Industrial Est.  
 Loanhead, EH20 9TB  
 Tel.: 0131 448 3931

IV92 THERMO  
 Balcony door glass line alignment with  
 aluminium threshold DAFA

Version: 1	Scale: 1:1
Date: 23.03.17	Drawing: F18-1



www.uniwin.co.uk

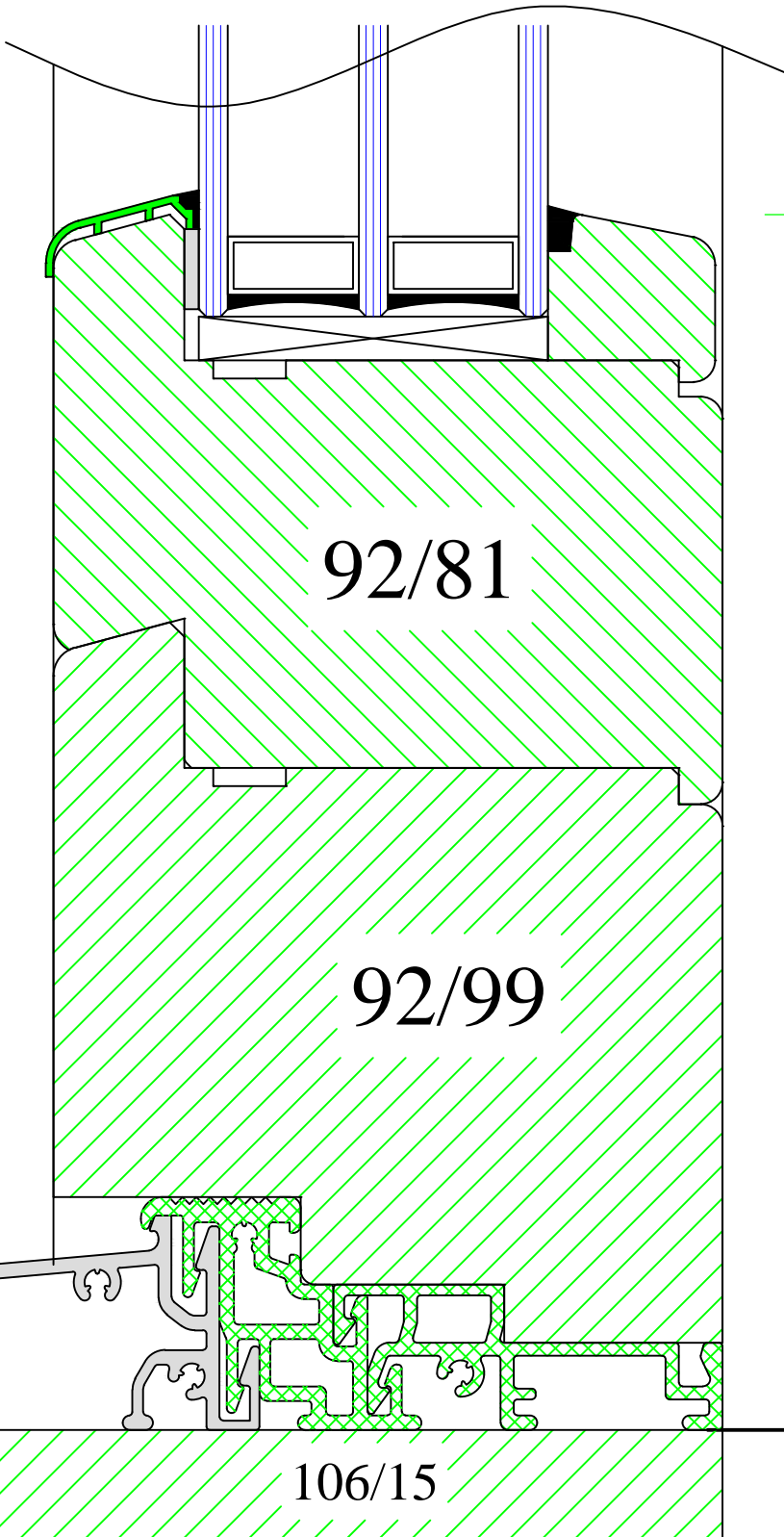
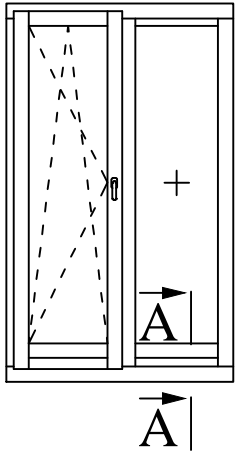


**UNI WINDOWS Ltd.**  
 Unit 6, Edgefield Industrial Est.  
 Loanhead, EH20 9TB  
 Tel.: 0131 448 3931

IV92 THERMO  
 Balcony door with aluminium threshold  
 Wesser

Version: 1	Scale: 1:1
Date: 23.03.17	Drawing: F19





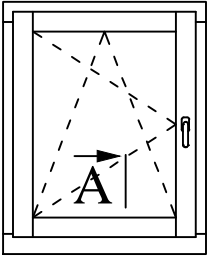
www.uniwin.co.uk



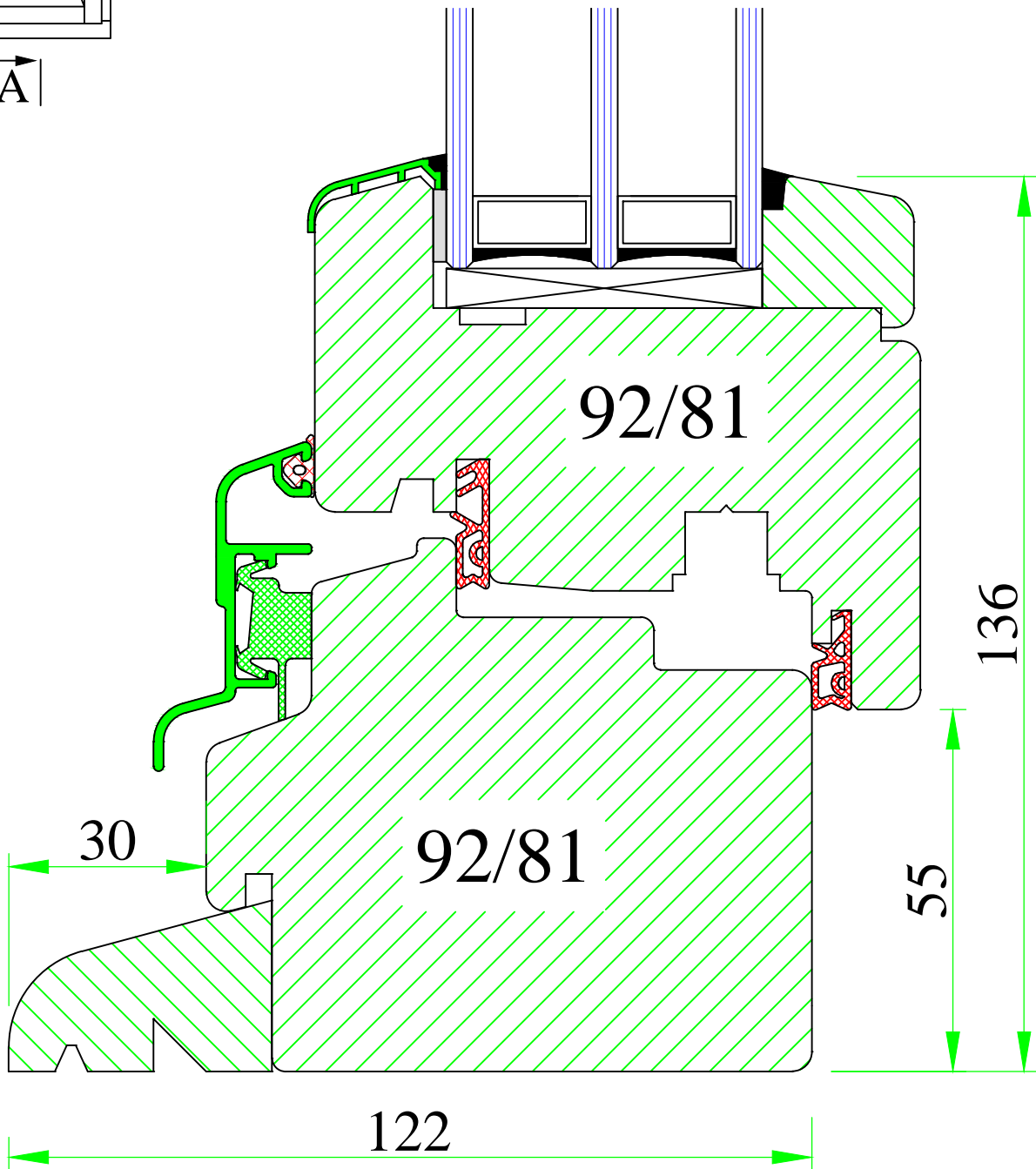
**UNI WINDOWS Ltd.**  
 Unit 6, Edgefield Industrial Est.  
 Loanhead, EH20 9TB  
 Tel.: 0131 448 3931

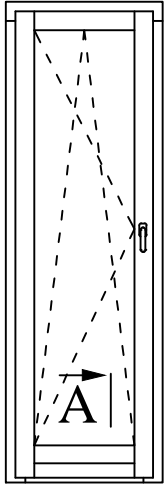
IV92 THERMO  
 Balcony door glass line alignment with  
 aluminium threshold Wesser

Version: 1	Scale: 1:1
Date: 23.03.17	Drawing: F19-1

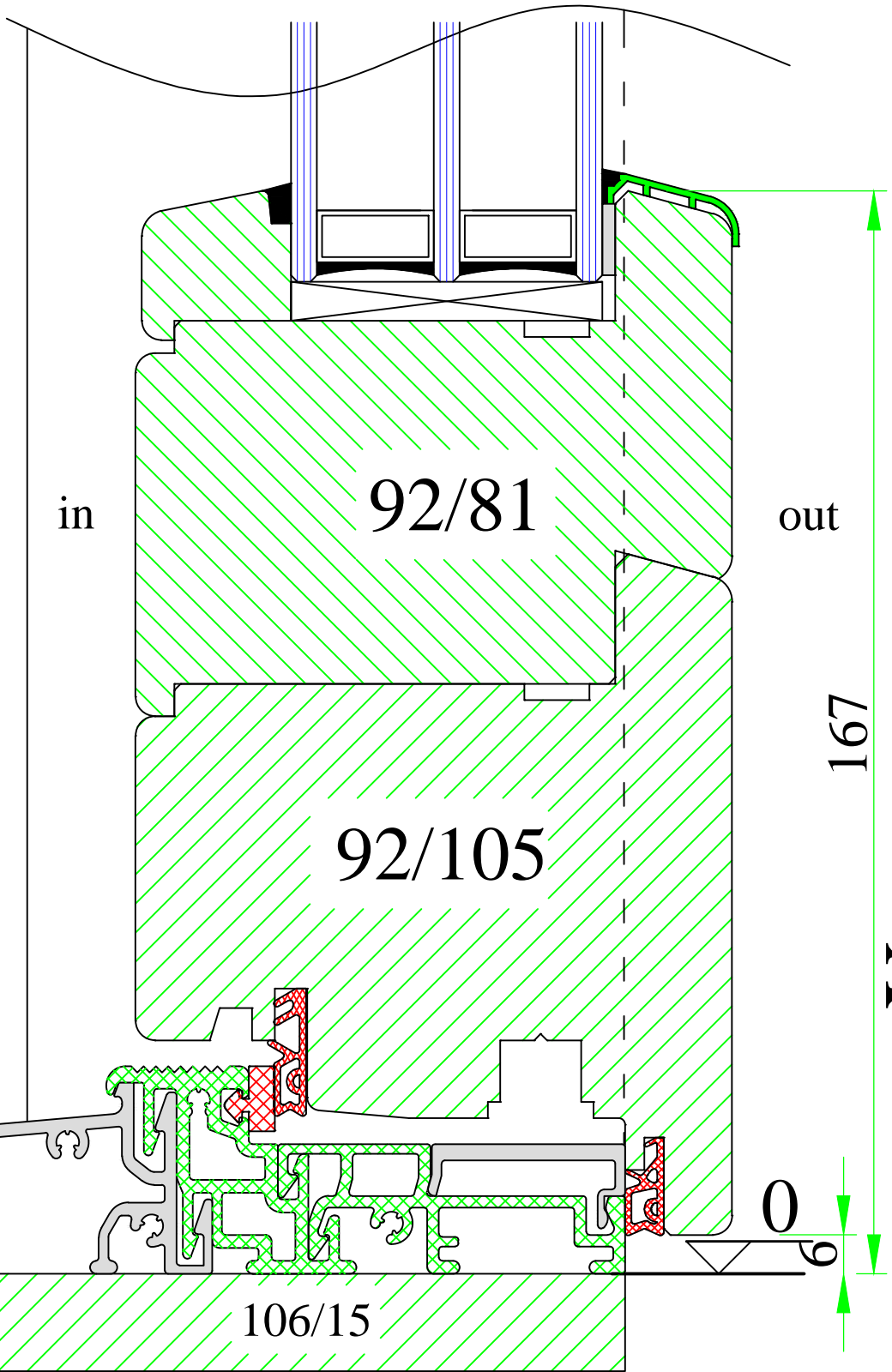


A





A



0

0  
6

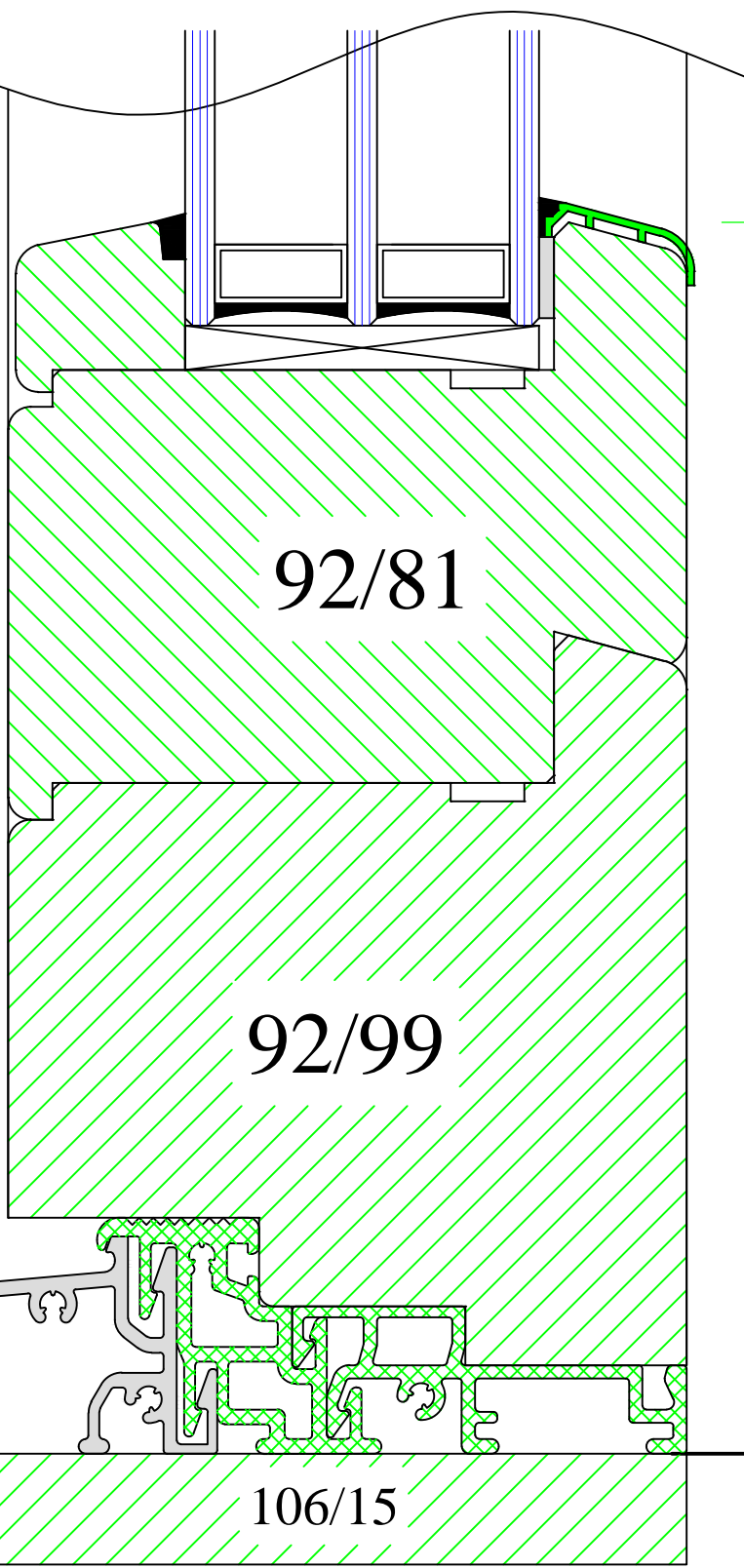
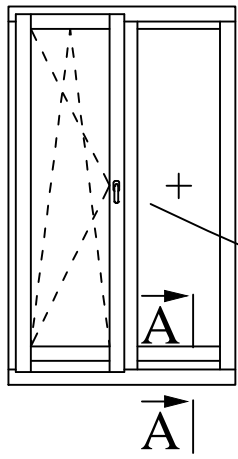


**UNI WINDOWS Ltd.**  
Unit 6, Edgefield Industrial Est.  
Loanhead, EH20 9TB  
Tel.: 0131 448 3931

IV92 THERMO  
Outward opening balcony door with  
aluminium threshold Wesser

Version:  
1  
Date:  
23.03.17

Scale:  
1:1  
Drawing:  
F21



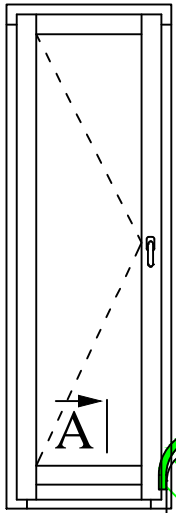
www.uniwin.co.uk



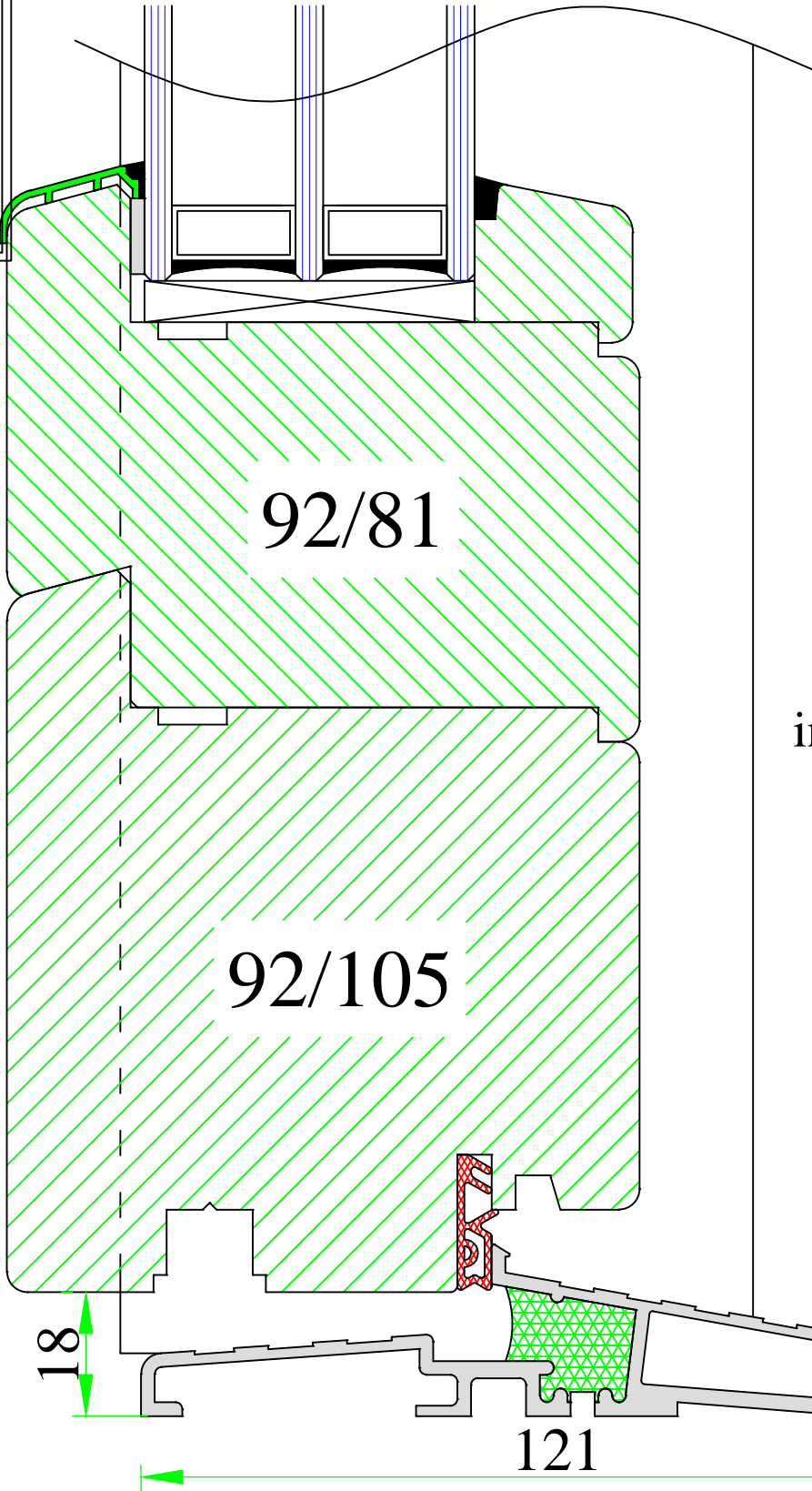
**UNI WINDOWS Ltd.**  
 Unit 6, Edgefield Industrial Est.  
 Loanhead, EH20 9TB  
 Tel.: 0131 448 3931

IV92 THERMO  
 Outward opening balcony door glass line  
 alignmet with aluminium threshold Wesser

Version: 1	Scale: 1:2
Date: 23.03.17	Drawing: TEMPLAT



A



out

92/81

in

92/105

179

Y

18

121

0

www.uniwin.co.uk

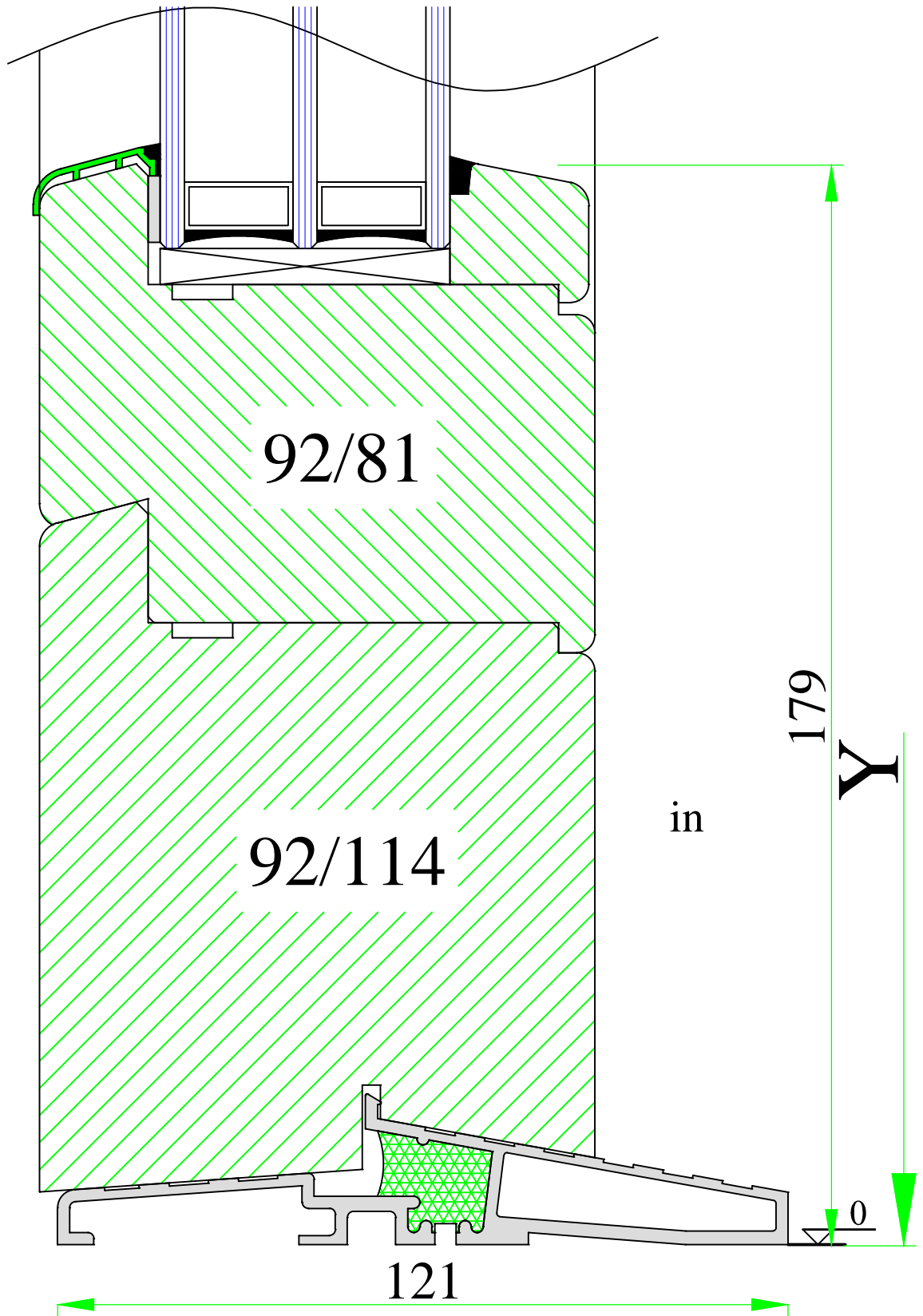
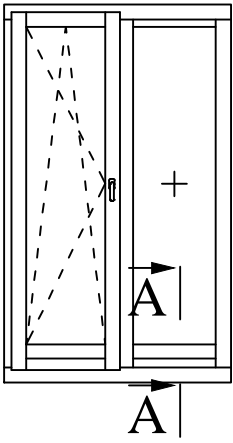


**UNI WINDOWS Ltd.**  
 Unit 6, Edgefield Industrial Est.  
 Loanhead, EH20 9TB  
 Tel.: 0131 448 3931

IV92 THERMO  
 Outward opening French door with  
 aluminium threshold DAFA

Version:  
 1  
 Date:  
 23.03.17

Scale:  
 1:1  
 Drawing:  
 F22



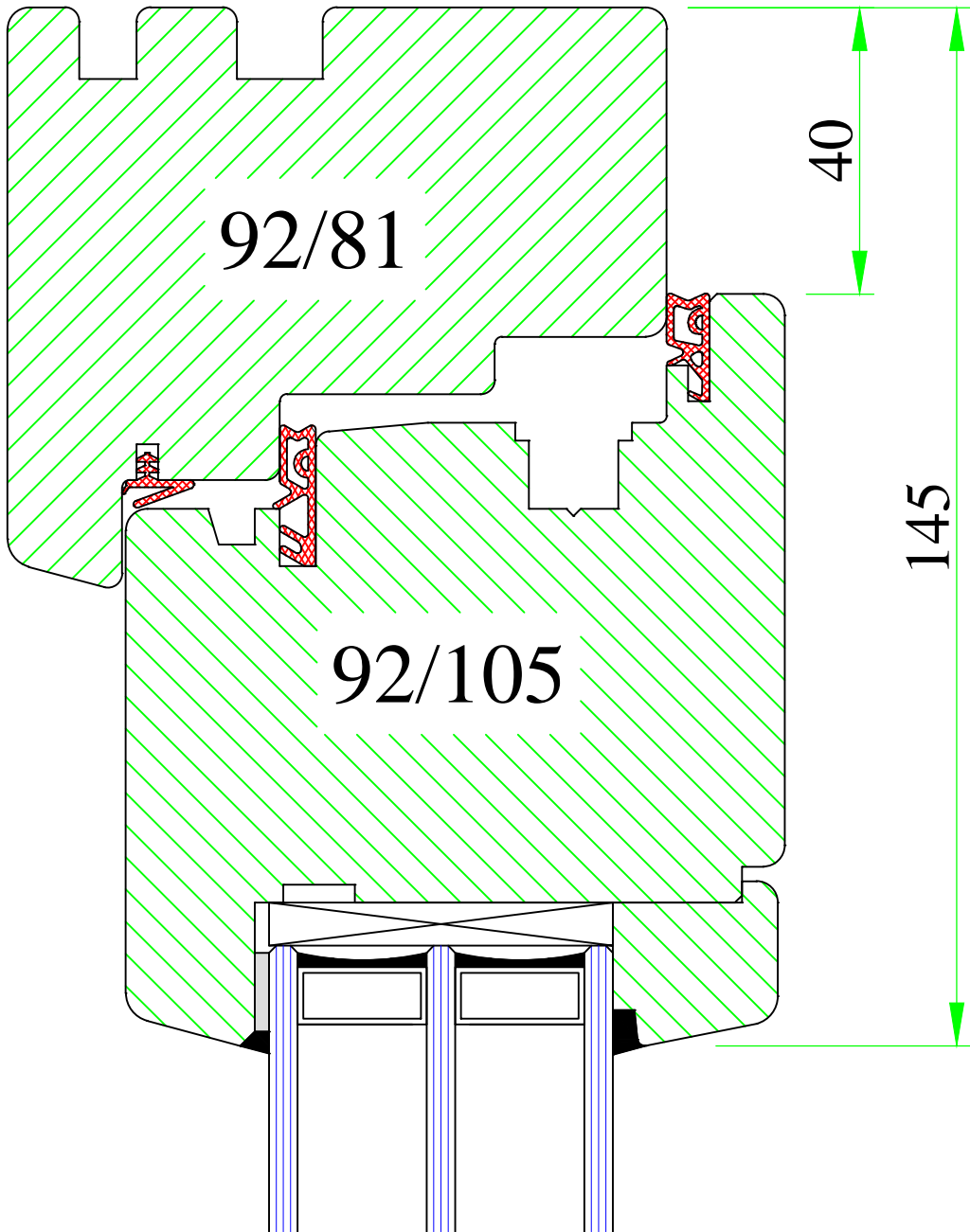
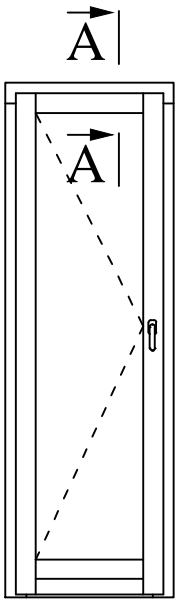
www.uniwin.co.uk



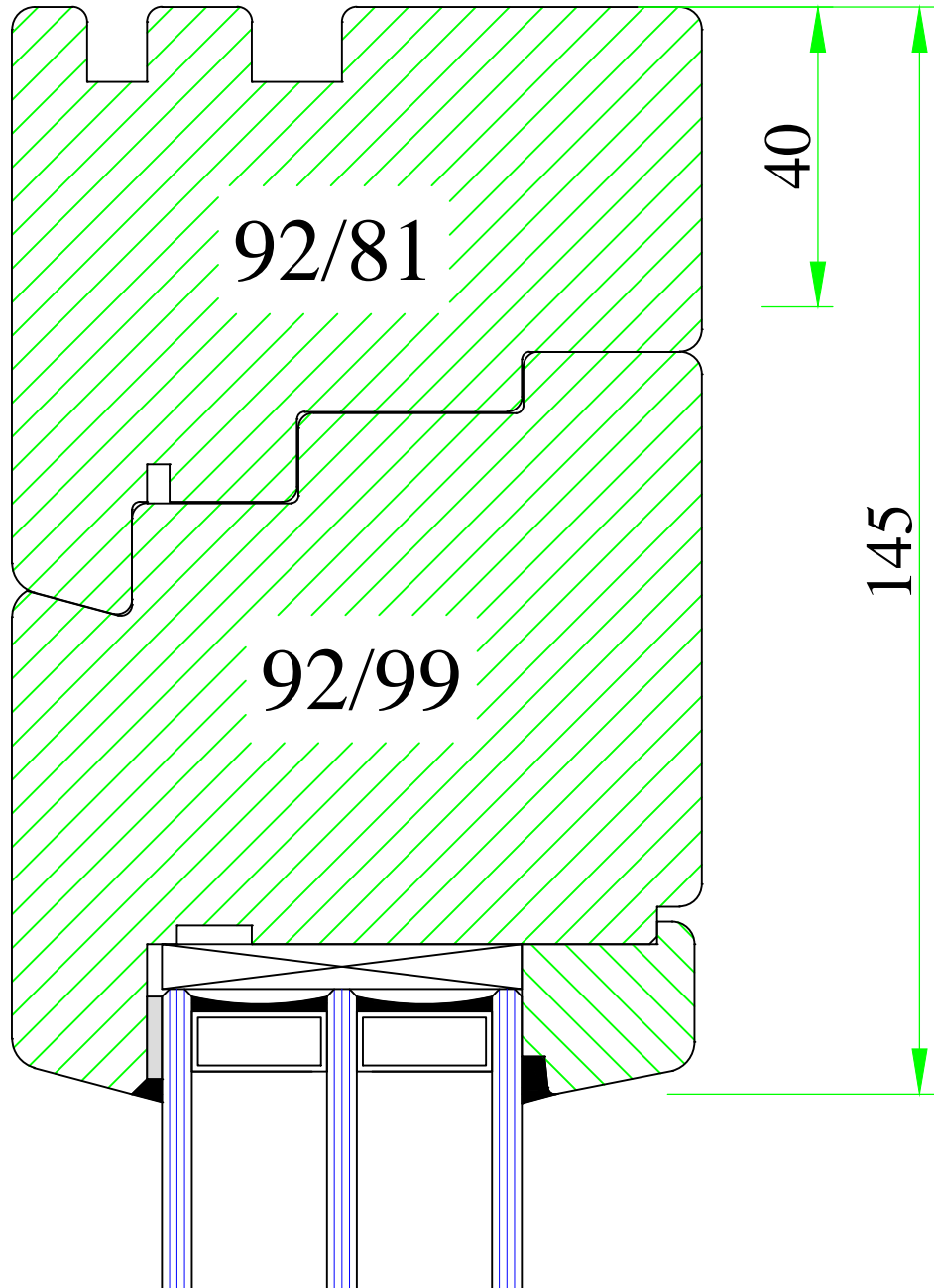
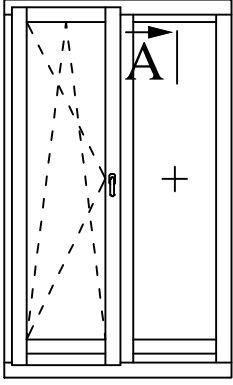
**UNI WINDOWS Ltd.**  
 Unit 6, Edgefield Industrial Est.  
 Loanhead, EH20 9TB  
 Tel.: 0131 448 3931

IV92 THERMO  
 Otward opening French door glass line  
 alignment with aluminium threshold DAFA

Version: 1	Scale: 1:1
Date: 23.03.17	Drawing: F22-1



A



www.uniwin.co.uk

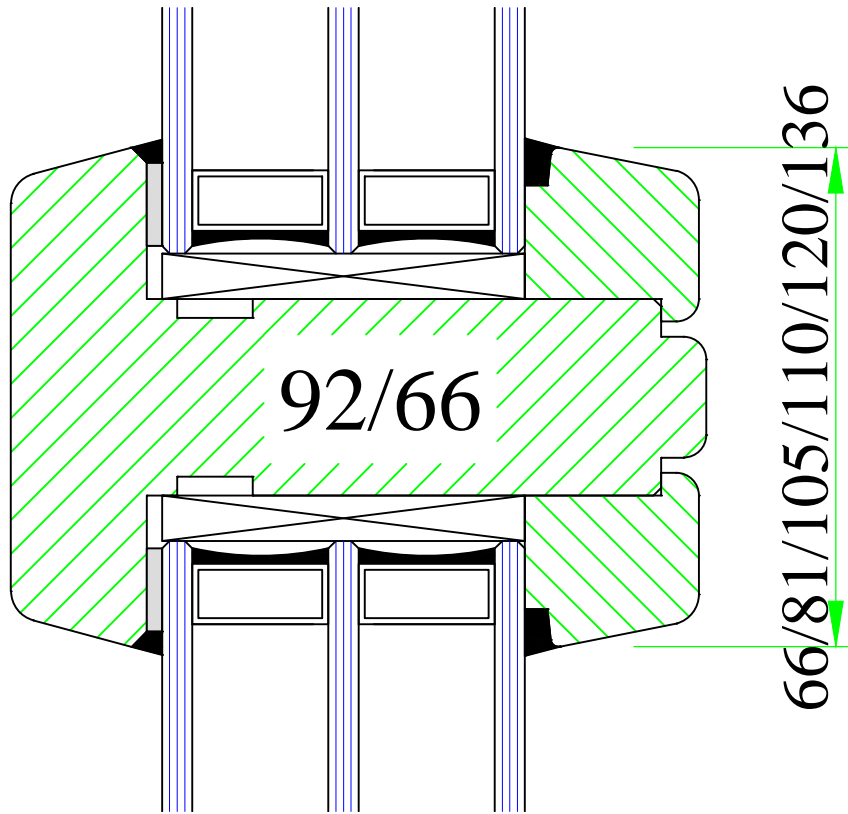
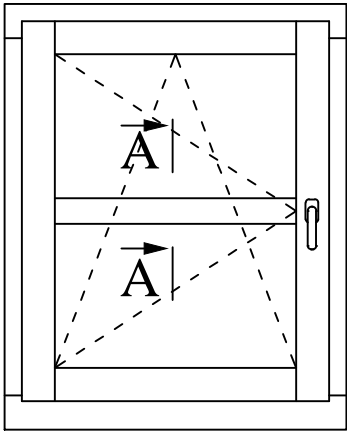


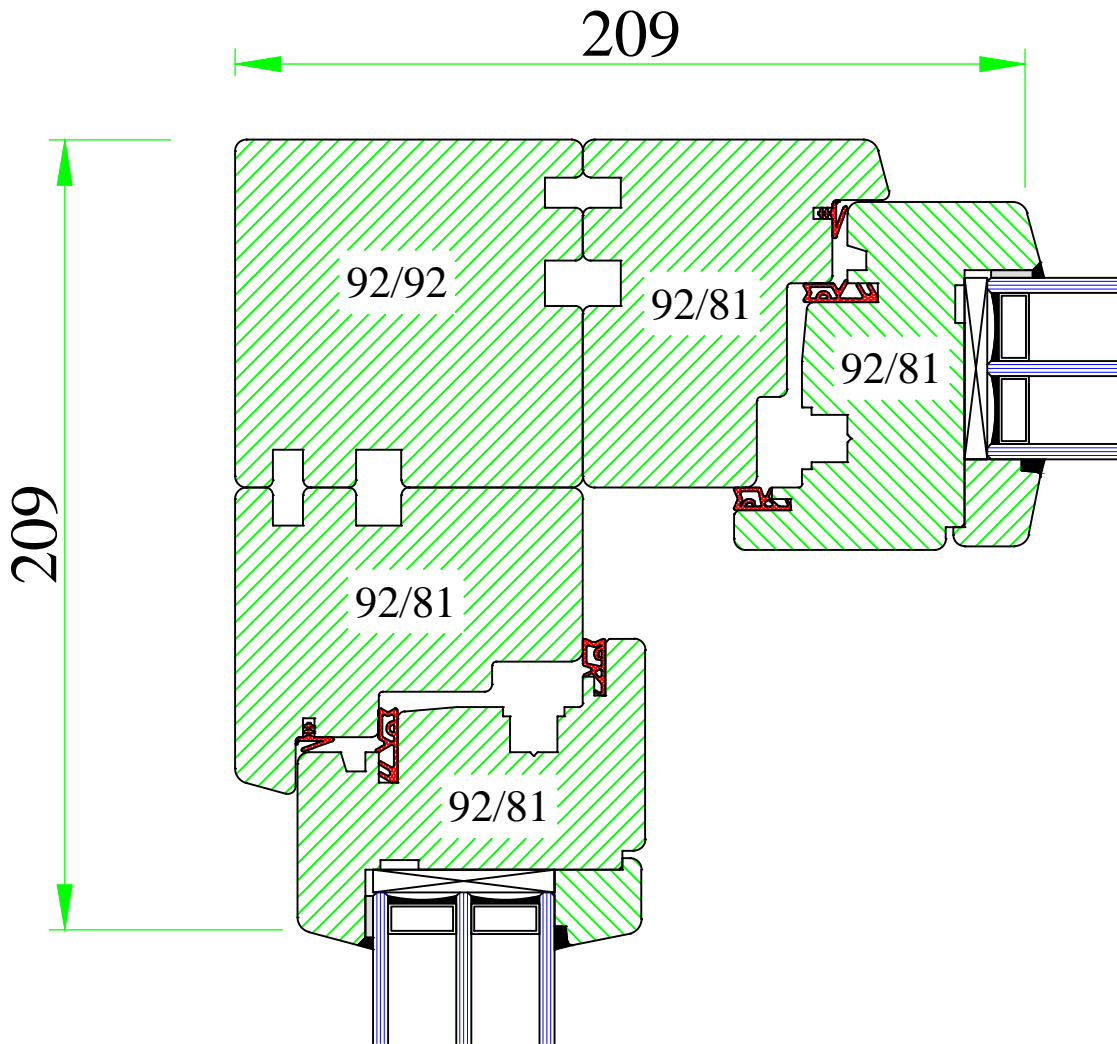
**UNI WINDOWS Ltd.**  
Unit 6, Edgefield Industrial Est.  
Loanhead, EH20 9TB  
Tel.: 0131 448 3931

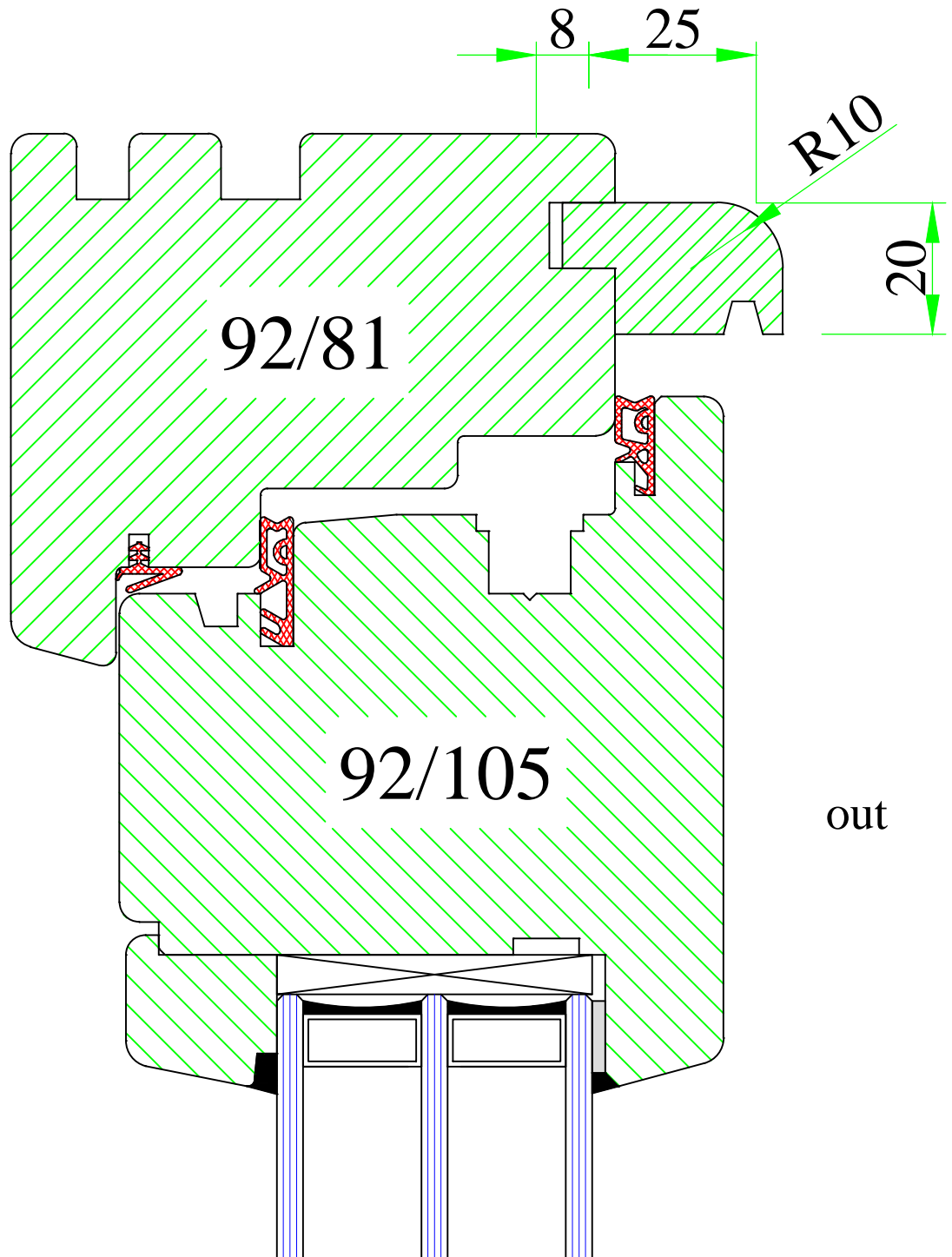
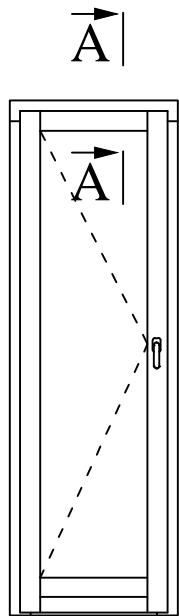
IV92 THERMO  
French door glass line alignment - top

Version: 1	Scale: 1:1
Date: 23.03.17	Drawing: F23-1





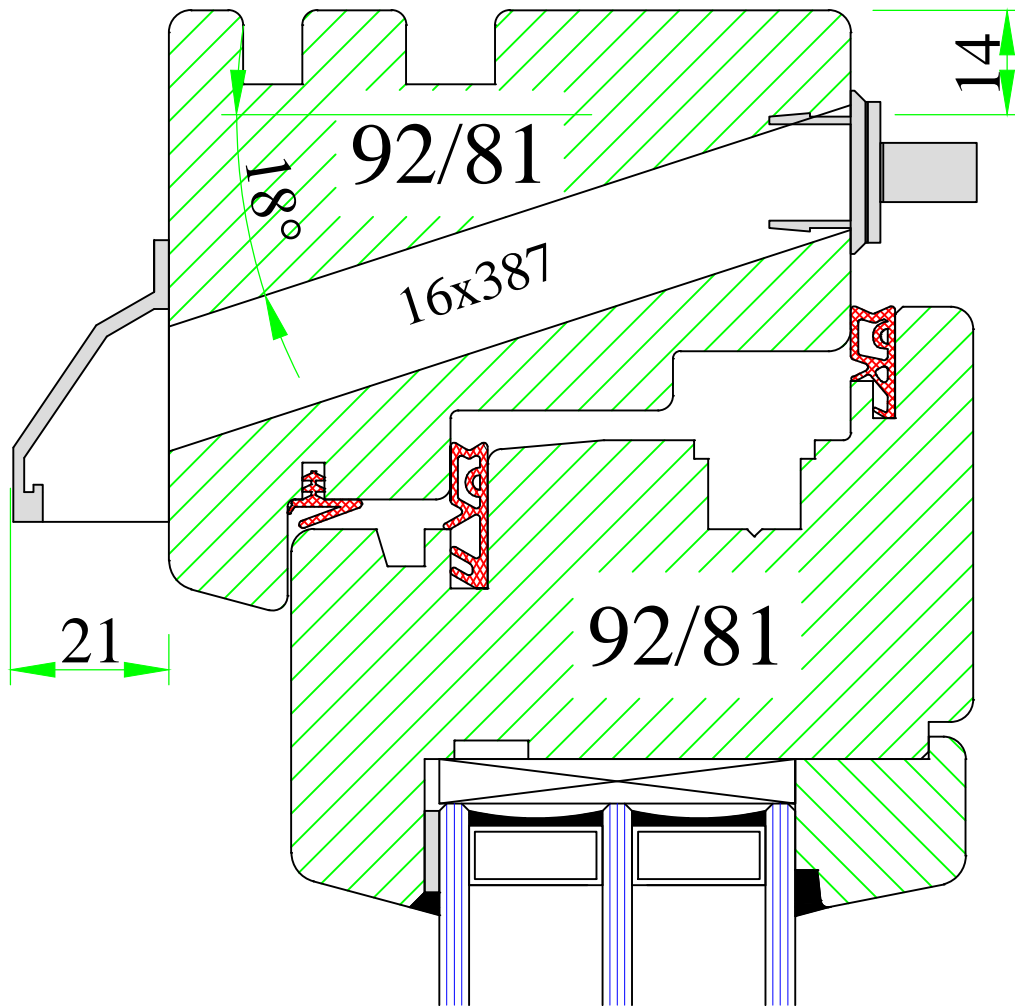
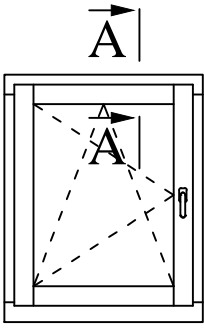




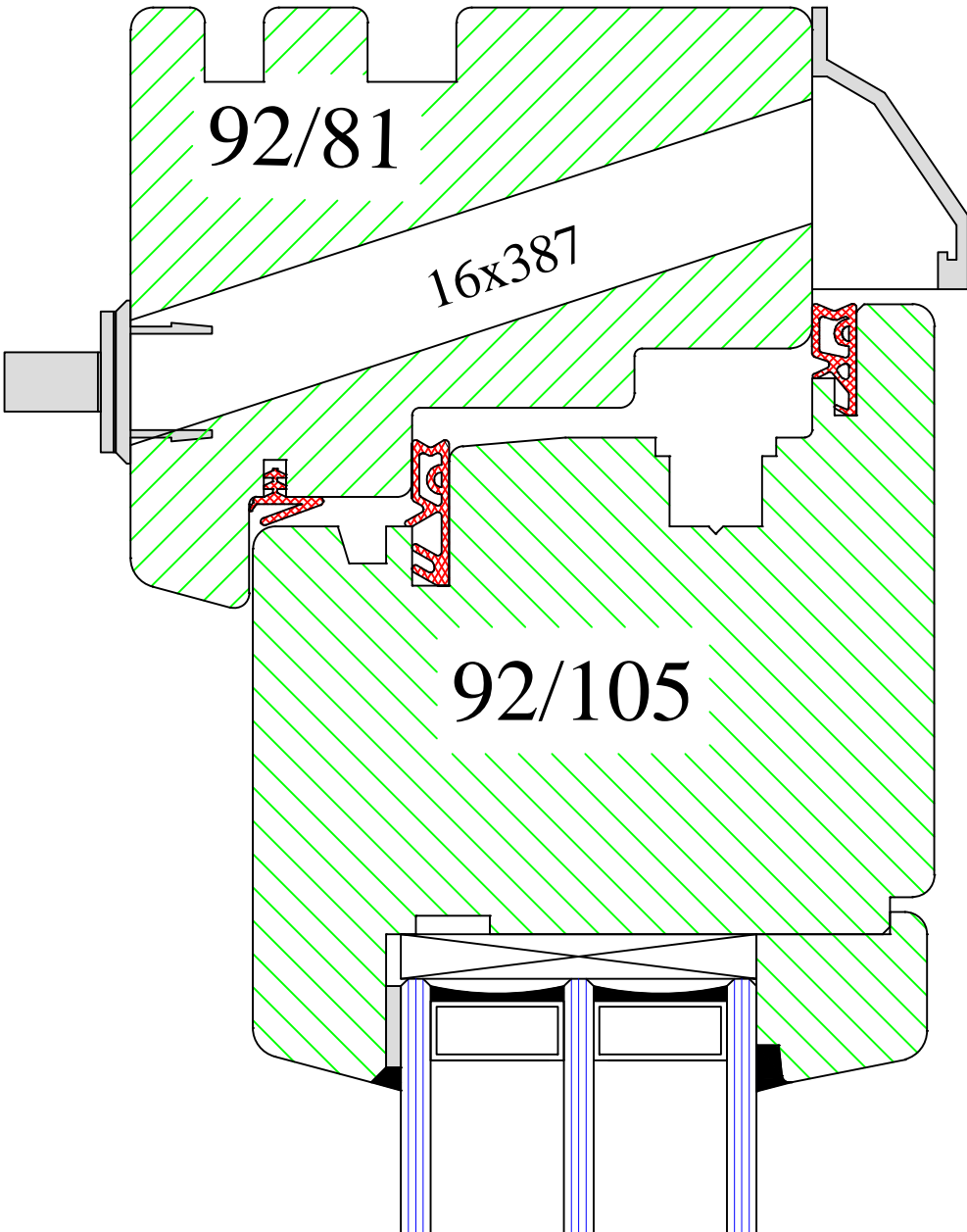
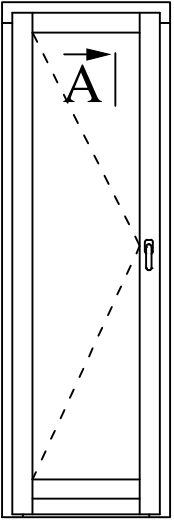
**UNI WINDOWS Ltd.**  
 Unit 6, Edgefield Industrial Est.  
 Loanhead, EH20 9TB  
 Tel.: 0131 448 3931

IV92 THERMO  
 Outward opening French door - top drip cap

Version: 1	Scale: 1:1
Date: 23.03.17	Drawing: F27



A

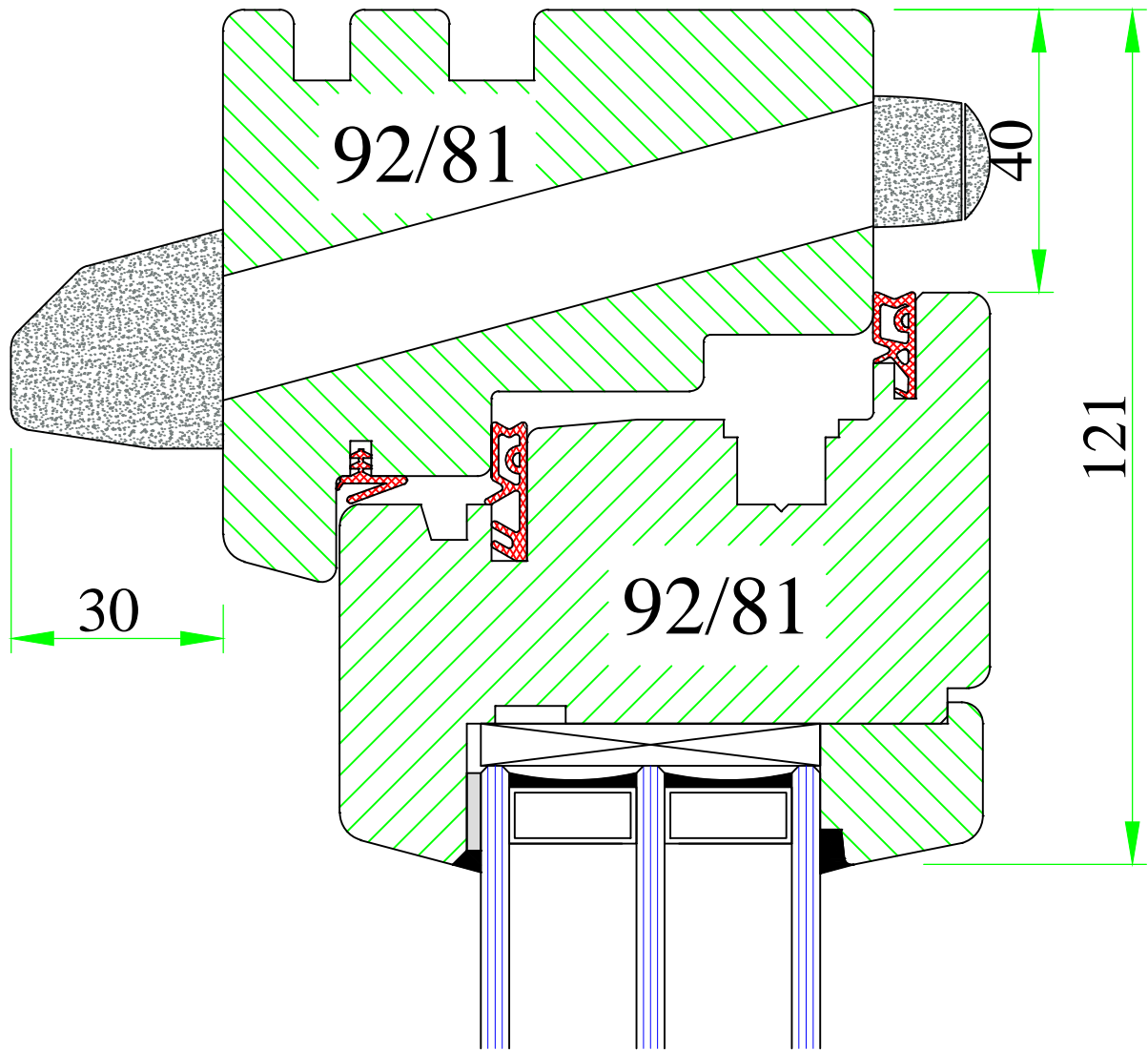
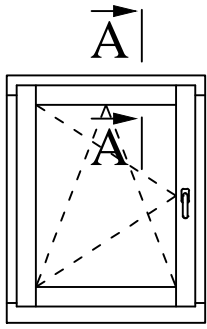


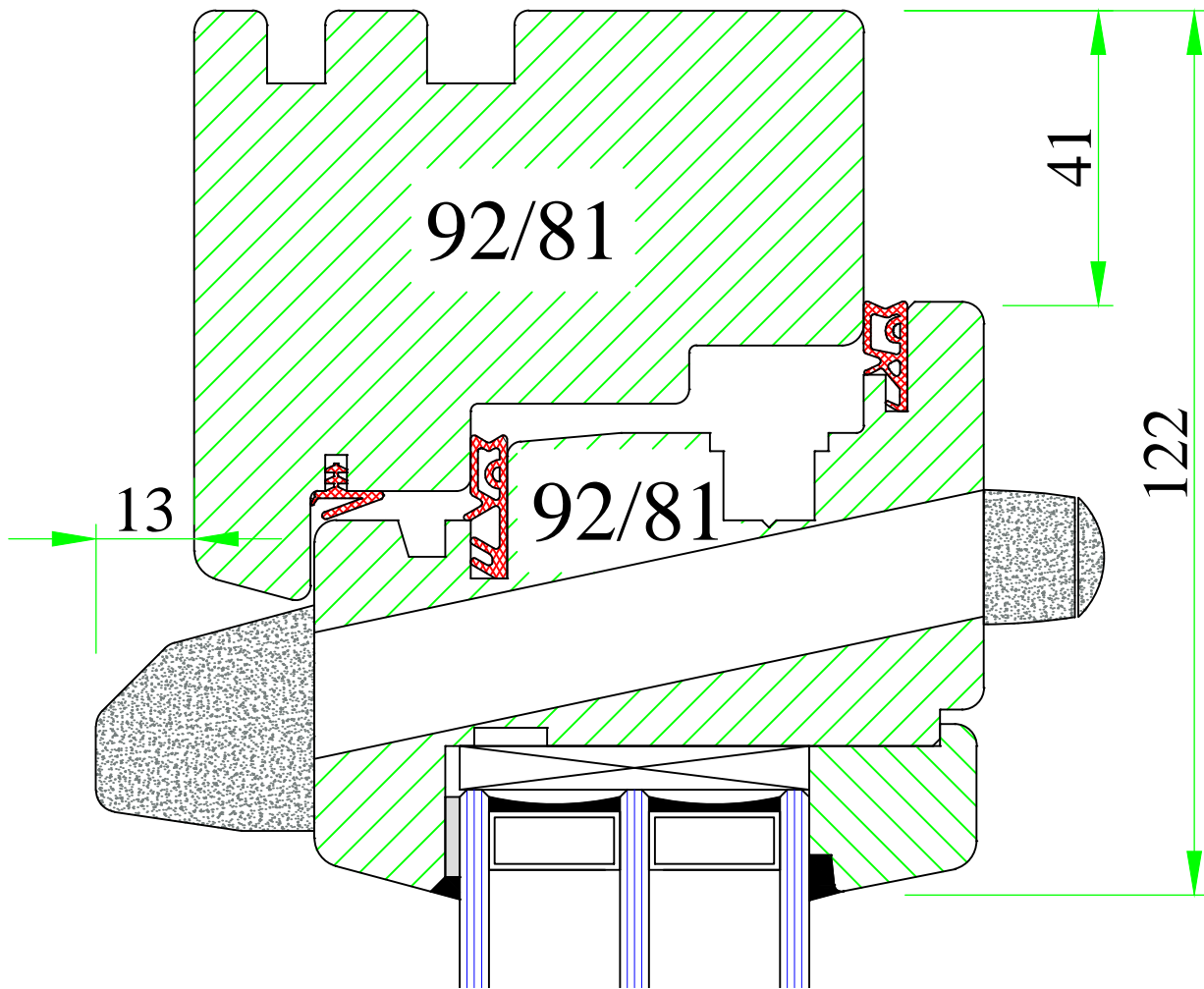
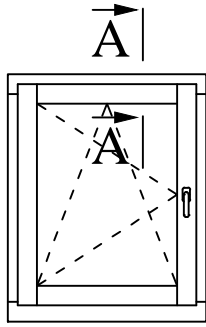
**UNI WINDOWS Ltd.**  
Unit 6, Edgefield Industrial Est.  
Loanhead, EH20 9TB  
Tel.: 0131 448 3931

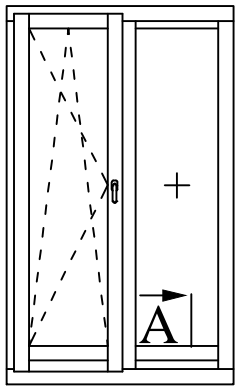
IV92 THERMO  
Trickle vent TV90 in outward opening door

Version:  
1  
Date:  
23.03.17

Scale:  
1:1  
Drawing:  
F29







A

in

92/81

out

92/105

167

Y

0

32

72/15

0

6



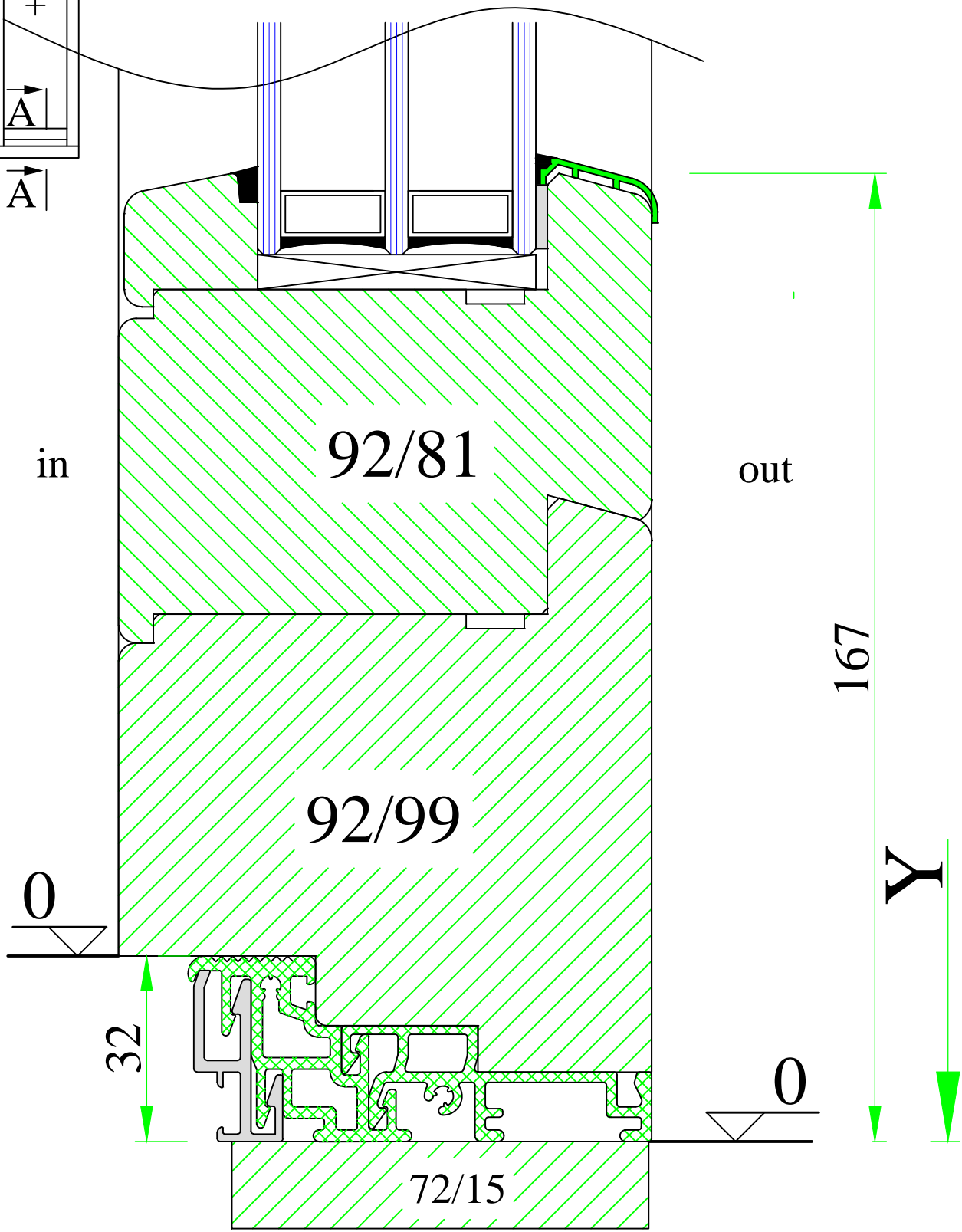
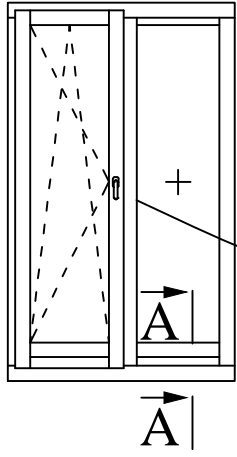
**UNI WINDOWS Ltd.**  
 Unit 6, Edgefield Industrial Est.  
 Loanhead, EH20 9TB  
 Tel.: 0131 448 3931

IV92 THERMO  
 French door with aluminium threshold  
 Wesser - A

Version:  
1  
 Date:  
23.03.17

Scale:  
1:1  
 Drawing:  
F32





www.uniwin.co.uk

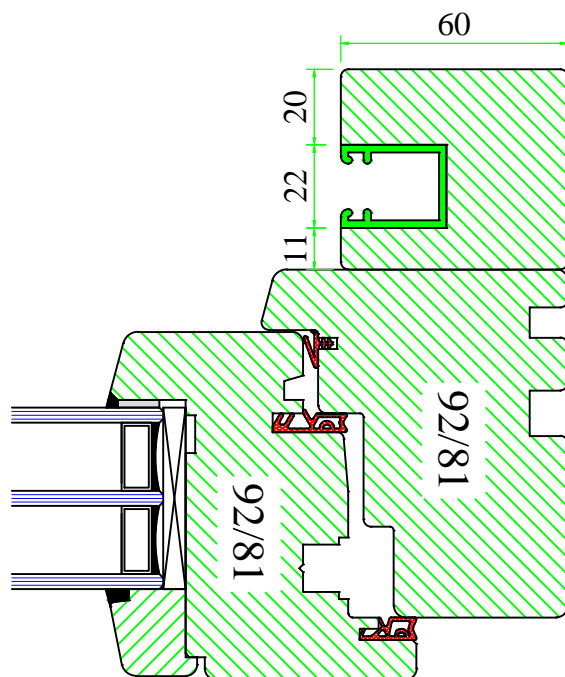


**UNI WINDOWS Ltd.**  
 Unit 6, Edgefield Industrial Est.  
 Loanhead, EH20 9TB  
 Tel.: 0131 448 3931

IV92 THERMO  
 French door glass line alignment with  
 aluminium threshold Weser - A

Version: 1	Scale: 1:1
Date: 23.03.17	Drawing: F32-1

# F/37



# F/37/1

